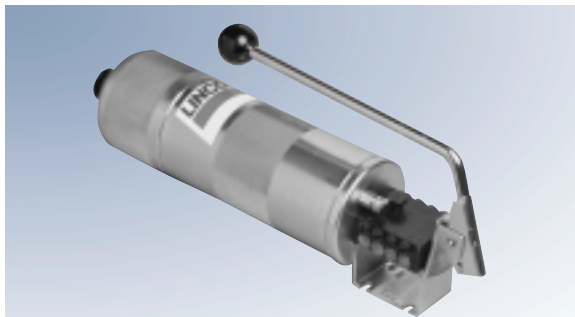


# HP, HPG, HPO, HPGO Pumps



These economically priced hand-operated single-stroke pumps deliver an accurately metered amount of lubricant, either grease or oil, depending on the version. The grease versions, HP and HPG, are equipped with a spring-loaded follower plate and a control rod for lubricant control. The oil version comes with a clear plastic reservoir for visual level control. When used in conjunction with SSV divider blocks they can supply grease to 1 to 64 lubrication points.

HPG15

Part No.	Description	Reservoir Capacity			Number of Outlets	Level Indicator
		Liters	In <sup>3</sup>	Lbs.		
604-25103-1	HP15	1.5	91.5	3	1	indicator rod
604-25109-2	HPG15	1.5	91.5	3	2 – 8	indicator rod
604-27162-1	HPO18 (oil)	1.8	109.8	3.6	1	transparent

## Technical Data

	HP	HPG
lubricant output per stroke	1.6 cm <sup>3</sup> (0.097 in <sup>3</sup> )	
lubricant output per outlet metering device	0.2 cm <sup>3</sup> (0.012 in <sup>3</sup> )	
maximum operating pressure	250 bar (3626 psi)	
outlet ports	R1/8 female (BSPT) suitable for 4 and 6 mm tube*	
follower	spring loaded	

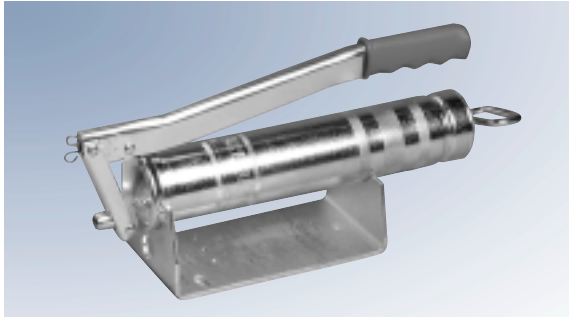
\* see SSV metering devices for outlet fittings

## Dimensions

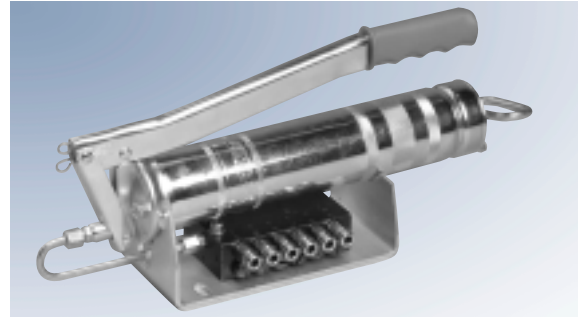
Model	Height	Width*	Depth
HP15	460 mm (18.1 in)	190 mm (7.5 in)	112 mm (4.4 in)
HPG15	635 mm (24.6 in) level indicator fully extended	190 mm (7.5 in)	112 mm (4.4 in)
HPO18	420 mm (16.5 in)	190 mm (7.5 in)	112 mm (4.4 in)

\* 335 mm (13.2 in) handle extended

# HP500 and HP500-SSV Pumps



HP500W



HP500W-SSV

The manual pumps HP500W and HP500W-SSV offer a special low-cost possibility of equipping a machine with a manual central lubrication pump.

The pumps are used where no automatic or continuous lubricant supply is required, but where a simple lubrication process by a central lubrication pump is desired.

The filling of the grease reservoir can be performed by means of a standard 400 g cartridge, or directly from a grease barrel or with a filling pump.

Part No.	Description	Reservoir Capacity			Number of Outlets
		Liters	In <sup>3</sup>	Lbs.	
244-14164-1	HP500W	0.5	30	1	1
604-28766-1	HP500W-SSV6	0.5	30	1	2 – 6
604-28767-1	HP500W-SSV8	0.5	30	1	2 – 8
604-28768-1	HP500W-SSV10	0.5	30	1	2 – 10
604-28769-1	HP500W-SSV12	0.5	30	1	2 – 12

## Technical Data

	HP500W	HP500W-SSV
lubricant output per stroke	1.5 cm <sup>3</sup> (0.091 in <sup>3</sup> )	
lubricant output per metering device outlet	0.2 cm <sup>3</sup> (0.012 in <sup>3</sup> )	
outlet thread connection	M10 x 1 female	R1/8 female (BSPT)*
maximum operating pressure	400 bar (5800 psi)	350 bar (5076 psi)
suitable lubricants	NGLI 2 grease	

\* see SSV metering devices for outlet fittings