

Modular Lube® Lubrication Systems

FlowMaster® Hydraulic Pump



High-performance FlowMaster hydraulic pumps combine rotary-driven pump motors with reciprocating pump tubes and flexible control features that perform in desert heat and arctic cold. Integrated control manifold adjusts the amount of lubricant and operating pressure. The pump's output is adjustable from 7 to 45 cubic inches per minute.

Supply Inlet Hydraulic Pressure, Max.:	3000 psig	200 bar
Operating Inlet Hydraulic Pressure:	300 to 420 psig	20 to 32 bar
Hydraulic Inlet Flow:	Up to 7 gpm	28 l/min
Pump Ratio with Manifold:	9:1 at low inlet pressure (300 to 350 psi/20 to 25 bar) and low inlet flow (below 2 gpm/7 lpm) pump ratio approaches 11:1 ratio at higher inlet pressure and flow	
Pump Output:	7 - 45 in ³ /min	
Operating Temperature:	-20° to +150°F	-10° to +65°C
Solenoid Valve Coil:	24 VDC	
Hydraulic Inlet Port:	SAE 4	
Tank Return Port:	SAE 6	
Pump Outlets:	1/4" NPTF	
Max. Hydraulic Fluid Temp:	200°F	93°C

For the complete system, when ordering 120# or 400# versions also order the following:

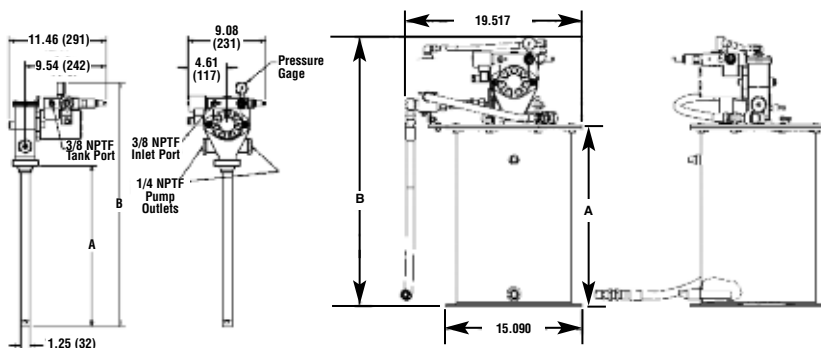
120#	Drum Cover	84616
	Follower Assy	85492
	Vent Valve Assy	84990
400#	Drum Cover	271606
	Follower Assy	270982
	Vent Valve Assy	271605



Pump Only Models

Model	Capacity			Solenoid Manual Override	Adjustable Flow Control	Adjustable Pressure Control
	lbs	gal	L			
85247	120	18	68	Yes	Yes	Yes
85480	120	18	68	No		
85481	60	8	30			
85482	400	55	208			
85483	35	5	19			
85486	35	5	19			
85586*	400	55	208			
85610**	400	55	208			
85670	90	10	38	Yes	Fixed	Fixed
85675	60	8	30	No	Yes	Yes
86261***	35	5	19			

*Heavy-duty model **Low temperature model (-60°F) ***Kit consisting of pump, follower, bucket cover and hardware



Container Size	Pump - in. (mm)		Pump Bucket-in. (mm)	
	A	B	A	B
35 lb.	13.69 (348)	23.50 (597)	14.59 (371)	24.40 (620)
60 lb.	19.00 (483)	28.81 (732)	19.90 (505)	29.70 (754)
90 lb.	27.50 (699)	37.31 (942)	28.40 (721)	40.13 (1,019)
120 lb.	27.50 (699)	37.31 (942)	28.40 (721)	40.13 (1,019)
400 lb.	34.00 (864)	43.81 (1,113)	34.00 (864)	44.94 (1,142)