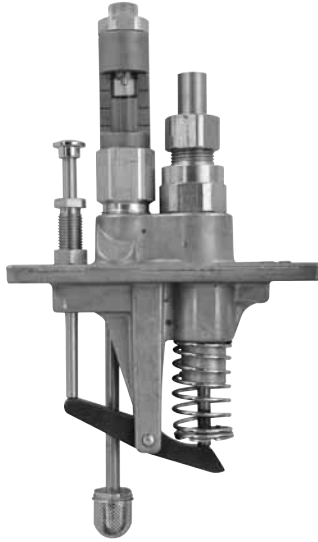


Model 55i Lubricator Pump

Universal lubricator pump fits most major manufacturers' lubricator boxes. One piece pump body eliminates leak points.



Model	Type	Piston Dia. in. / mm	Inlet	Sight Glass	Max. Operating Pressure psi / bar	Max. Oil Viscosity (SUS)	Max. Output Per Stroke Drops (in ³ / cc)
880550	Vacuum Feed	¼ / 6.4	Suction Tube	Yes	6000 / 400	8000 / 540	9 (.0184 / .302)
880560	Feed	⅜ / 9.5			3500 / 240		21 (.0415 / .680)
880551	Press. Inlet (Manifold) Feed	¼ / 6.4	⅜" NPTM	Yes	6000 / 400		9 (.0184 / .302)
880561		⅜ / 9.5			3500 / 240		21 (.0415 / .680)
880552	Direct Feed	¼ / 6.4	⅜" NPTF	No	6000 / 400		9 (.0184 / .302)
880554	Direct Feed	⅜ / 9.5		Yes	3500 / 240		21 (.0415 / .680)
880553 *	Press. Inlet (Manifold) Feed	⅜ / 4.8			3500 / 240		

* Similar to model 880561 but does not include tubing and valve connections.

Notes: Standard fluoroelastomer seals.

Sight glass is armored Pyrex® glass.

See Pump to Point Lubricator Accessories page for armored site glass kit (model 250176).

End Rotary Drive Lubricators

Internal Gear and Ratchet

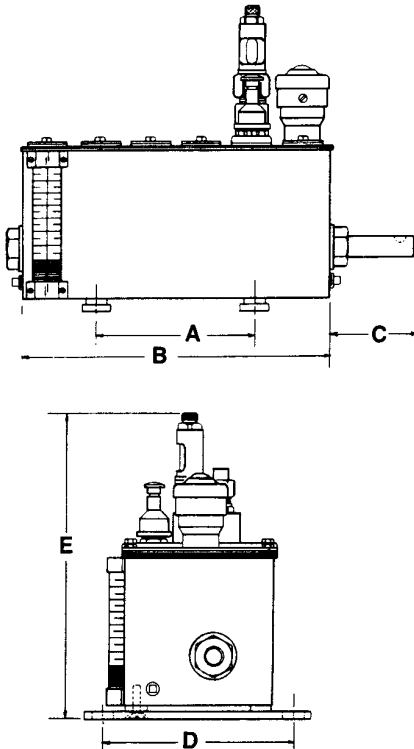
Drive Data: Type – End rotary with internal gear and ratchet. **37.5:1 ratio.**

Rotation – Either clockwise or counterclockwise.

Power Source – Machine drive; not recommended for motor drive.

Maximum Input Speed – 700 RPM.

Note: Number following dash in the part number indicates quantity of pumps included.



Model	Reservoir Capacity	Max. No. of Pumps	Drive Location	Service Sheet Number
800037-1	4 pint / 1.9L	5	RH	M2-26
800037-3	4 pint / 1.9L	5	RH	M2-26
800037-4	4 pint / 1.9L	5	RH	M2-26
800028-3	4 pint / 1.9L	5	LH	M2-43
800131-5	8 Pint / 3.8L	7	RH	M2-25
800019-5	8 Pint / 3.8L	7	LH	M2-40

Model	Dimensions—in. / mm					Shaft Dia.
	A	B	C	D	E	
800037-1	5½ / 140	10⅝ / 270	3 / 76	6⅞ / 167	10⅝ / 264	⅝ / 16
800037-3						
800037-4						
800028-3						
800131-5	8¾ / 222	14⅞ / 359				
800019-5						

End Rotary Drive Lubricators

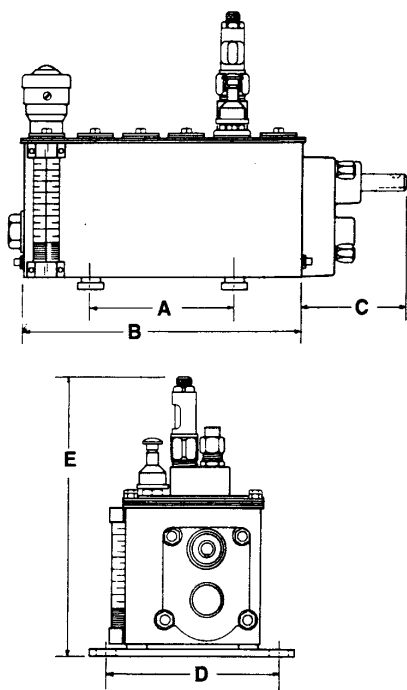
Spur Gear

Drive Data: Type – End rotary with spur gear. **112.5:1 ratio.**

Rotation – Either clockwise or counterclockwise.

Power Source – Machine drive; not recommended for motor drive.

Note: Number following dash in the part number indicates quantity of pumps included.



Model	Reservoir Capacity	Max. No. of Pumps	Drive Location	Service Sheet Number
800066-2	4 pint / 1.9L	5	RH	M2-20
800066-3	4 pint / 1.9L	5	RH	M2-20
800143-3	4 pint / 1.9L	5	LH	M2-136
800289-4	8 Pint / 3.8L	7	RH	M3-21
800289-5	8 Pint / 3.8L	7	RH	M3-21
800289-6	8 Pint / 3.8L	7	RH	M3-21

Model	Dimensions—in. / mm					Shaft Dia.
	A	B	C	D	E	
800066-2	5½ / 140	10⅝ / 270	4 / 102	6⅞ / 167	10¾ / 273	⅝ / 16
800066-3	5½ / 140	10⅝ / 270	4 / 102	6⅞ / 167	10¾ / 273	⅝ / 16
800143-3	5½ / 140	10⅝ / 270	4 / 102	6⅞ / 167	10¾ / 273	⅝ / 16
800289-4	8¾ / 222	14⅞ / 359	4 / 102	6⅞ / 167	10¾ / 273	⅝ / 16
800289-5	8¾ / 222	14⅞ / 359	4 / 102	6⅞ / 167	10¾ / 273	⅝ / 16
800289-6	8¾ / 222	14⅞ / 359	4 / 102	6⅞ / 167	10¾ / 273	⅝ / 16



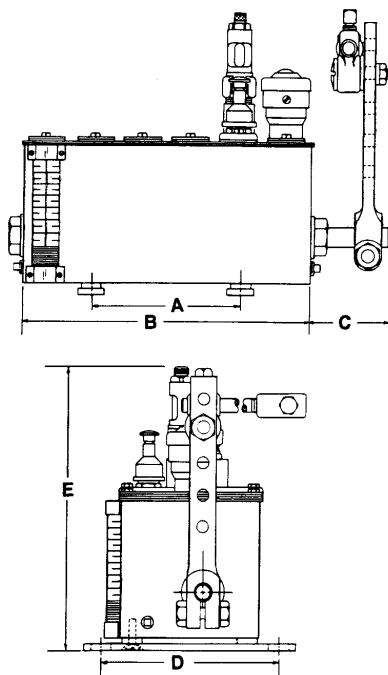
Internal Ratchet Drive Lubricators

Drive Data: Type – Internal 75-tooth ratchet gear.

Rotation – See chart for power stroke direction.

Power Source – Machine drive.

Note: Number following dash in the part number indicates quantity of pumps included.

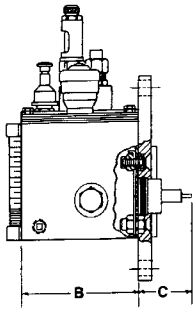
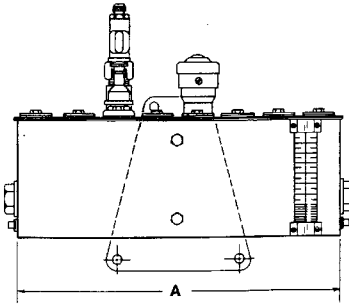


Model	Reservoir Capacity	Max. No. of Pumps	Drive Location	Power Stroke	Service Sheet Number
800065-1	2 pint / .95L	2	LH	CW	M3-31
800376-2	3 pint / 1.4L	3	RH	CW	M3-31
800118-2	4 Pint / 1.9L	5	RH	CW	M2-164
800118-3	4 Pint / 1.9L	5	RH	CW	M2-164
800100-2	4 Pint / 1.9L	5	LH	CW	M3-31
800031-3	8 Pint / 3.8L	5	RH	CW	M3-31

Model	Dimensions—in. / mm					Shaft Dia.
	A	B	C	D	E	
800065-1	5½ / 140	3¾ / 95	3 / 76	6⅞ / 167	10½ / 269	⅝ / 16
800376-2		7⅞ / 181			10¾ / 273	
800118-2		10⅝ / 270			10⅞ / 264	
800118-3					10⅞ / 264	
800100-2		10¾ / 273				
800031-3	8¾ / 222	14⅞ / 359				

Rear Rotary Drive Lubricators

Note: Number following dash in the part number indicates quantity of pumps included.

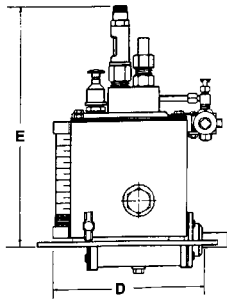
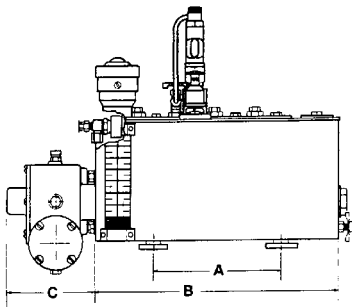


Model	Reservoir Capacity	Max. No. of Pumps	Drive Location	Ratio	Service Sheet Number
800621-4	8 Pint / 3.8L	6	LH	60:1	M2-42
800784-2	8 Pint / 3.8L	6	LH	137.5:1	M3-18

Model	Dimensions—in. / mm			Shaft Dia.
	A	B	C	
800621-4	10 $\frac{5}{8}$ / 270	5 $\frac{5}{16}$ / 132	1 $\frac{1}{8}$ / 48	$\frac{3}{4}$ / 16
800784-2	14 $\frac{1}{8}$ / 359	5 $\frac{5}{16}$ / 132	2 $\frac{1}{4}$ / 57	$\frac{1}{2}$ / 13

Left-Hand Rear Gearhead Drive Lubricators

Note: Number following dash in the part number indicates quantity of pumps included.



Model	Reservoir Capacity	Max. No. of Pumps	Ratio	Service Sheet Number
800059-1	4 pint / 1.9L	5	60:1	M2-19
800059-2				

Model	Dimensions—in. / mm					Shaft Dia.
	A	B	C	D	E	
800059-1	5 $\frac{1}{2}$ / 140	10 $\frac{5}{8}$ / 270	3 $\frac{1}{16}$ / 97	6 $\frac{5}{16}$ / 167	10 $\frac{5}{8}$ / 276	$\frac{3}{4}$ / 16
800059-2						

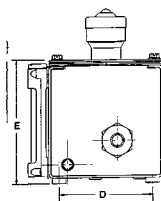
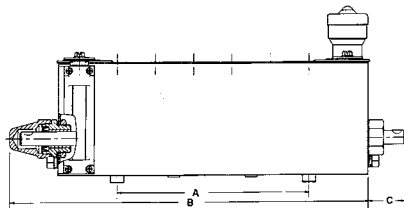
End Rotary Drive Tandem Lubricators

Drive Data: Type – End rotary all gear.

Rotation – Either clockwise or counterclockwise.

Power Source – Machine drive; also suitable for motor drive.

Note: Pumps and slot covers must be purchased separately



Model	Reservoir Capacity	Max. No. of Pumps	Drive Location	Ratio	Service Sheet Number
847400	8 pint / 3.8L	6	RH	300:1	M2-218

Model	Dimensions—in. / mm					Shaft Dia.
	A	B	C	D	E	
847400	8 $\frac{3}{4}$ / 222	16 $\frac{5}{16}$ / 414	2 $\frac{5}{8}$ / 67	4 $\frac{1}{4}$ / 108	5 $\frac{1}{16}$ / 138	$\frac{5}{8}$ / 16

Model 276517 Armored Sight Glass Kit

With pyrex sight tube.



Model 880555 Lube Sentry

Monitors camshaft rotation and reservoir level.

Model 880556 Lube Sentry

Same as Model 880555 except suction tube is 1/2" shorter.

Model 880496 Oil Level Regulator

Automatically fills lubricator reservoir.



Model 880463* Lubricator Flow Switch

Monitors Model 55i lubricant flow.

Model 880466* Lubrication Flow Switch

Same as Model 880463 except includes terminal for series wiring.

* Use with non-conductive fluids only. Lubricator must be properly grounded.

Lubricator Cover Plate Assembly

Model 360654 - Cover Plate

Model 250132 - Gasket

Model 70224 - Screws