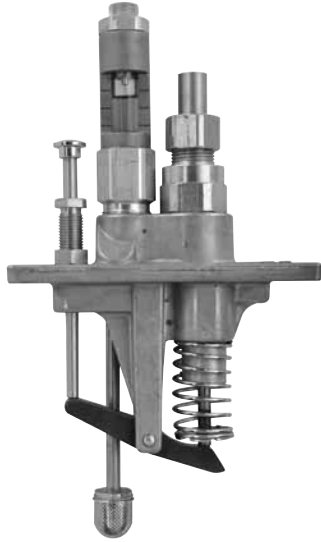


Model 55i Lubricator Pump

Universal lubricator pump fits most major manufacturers' lubricator boxes. One piece pump body eliminates leak points.



Model	Type	Piston Dia. in. / mm	Inlet	Sight Glass	Max. Operating Pressure psi / bar	Max. Oil Viscosity (SUS)	Max. Output Per Stroke Drops (in ³ / cc)
880550	Vacuum Feed	1/4 / 6.4	Suction Tube	Yes	6000 / 400	8000 / 540	9 (.0184 / .302)
880560		3/8 / 9.5			3500 / 240		21 (.0415 / .680)
880551	Press. Inlet (Manifold) Feed	1/4 / 6.4	1/8" NPTM		6000 / 400		9 (.0184 / .302)
880561		3/8 / 9.5			3500 / 240		21 (.0415 / .680)
880552	Direct Feed	1/4 / 6.4		No	6000 / 400		9 (.0184 / .302)
880553 *	Press. Inlet (Manifold) Feed	3/16 / 4.8	1/8" NPTF	Yes	3500 / 240		21 (.0415 / .680)

* Similar to model 880561 but does not include tubing and valve connections.

Notes: Standard Viton® seals.

Sight glass is armored Pyrex® glass.

See Pump to Point Lubricator Accessories page for armored site glass kit (model 250176).

End Rotary Drive Lubricators

Internal Gear and Ratchet

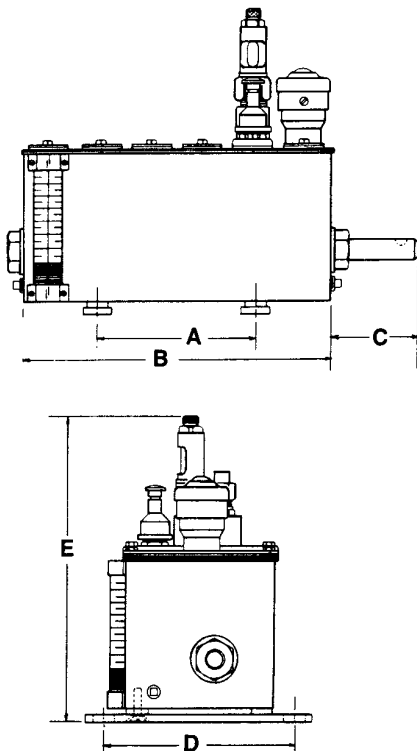
Drive Data: Type – End rotary with internal gear and ratchet. **37.5:1 ratio.**

Rotation – Either clockwise or counterclockwise.

Power Source – Machine drive; not recommended for motor drive.

Maximum Input Speed – 700 RPM.

Note: Number following dash in the part number indicates quantity of pumps included.



Model	Reservoir Capacity	Max. No. of Pumps	Drive Location	Service Sheet Number
800037-1	4 pint / 1.9L	5	RH	M2-26
800037-2	4 pint / 1.9L	5	RH	M2-26
800037-3	4 pint / 1.9L	5	RH	M2-26
800037-4	4 pint / 1.9L	5	RH	M2-26
800028-3	4 pint / 1.9L	5	LH	M2-43
800131-5	8 Pint / 3.8L	7	RH	M2-25
800019-5	8 Pint / 3.8L	7	LH	M2-40

Model	Dimensions—in. / mm					Shaft Dia.
	A	B	C	D	E	
800037-1	5 1/2 / 140	10 5/8 / 270	3 / 76	6 1/16 / 167	10 3/8 / 264	5/8 / 16
800037-2						
800037-3						
800037-4			8 3/4 / 222	14 1/8 / 359		
800028-3						
800131-5						
800019-5						

End Rotary Drive Lubricators

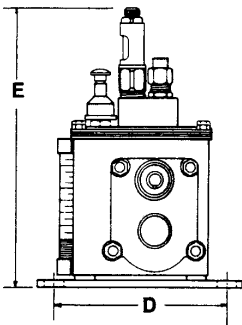
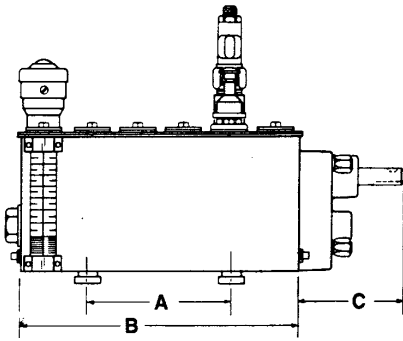
Spur Gear

Drive Data: Type – End rotary with spur gear. **112.5:1 ratio.**

Rotation – Either clockwise or counterclockwise.

Power Source – Machine drive; not recommended for motor drive.

Note: Number following dash in the part number indicates quantity of pumps included.



Model	Reservoir Capacity	Max. No. of Pumps	Drive Location	Service Sheet Number
800066-2	4 pint / 1.9L	5	RH	M2-20
800066-3	4 pint / 1.9L	5	RH	M2-20
800143-3	4 pint / 1.9L	5	LH	M2-136
800289-4	8 Pint / 3.8L	7	RH	M3-21
800289-5	8 Pint / 3.8L	7	RH	M3-21

Model	Dimensions—in. / mm					Shaft Dia.
	A	B	C	D	E	
800066-2	5½ / 140	10⅝ / 270	4 / 102	6⅞ / 167	10¼ / 273	⅝ / 16
800066-3	5½ / 140	10⅝ / 270	4 / 102	6⅞ / 167	10¼ / 273	⅝ / 16
800143-3	5½ / 140	10⅝ / 270	4 / 102	6⅞ / 167	10¼ / 273	⅝ / 16
800289-4	8¾ / 222	14⅞ / 359	4 / 102	6⅞ / 167	10¼ / 273	⅝ / 16
800289-5	8¾ / 222	14⅞ / 359	4 / 102	6⅞ / 167	10¼ / 273	⅝ / 16

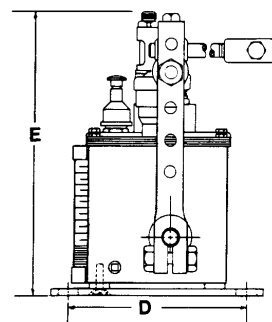
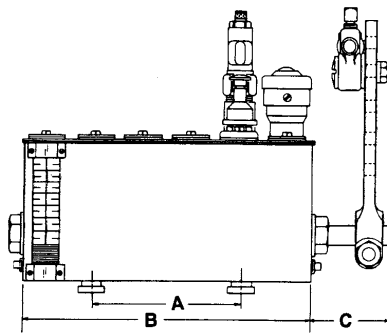
Internal Ratchet Drive Lubricators

Drive Data: Type – Internal 75-tooth ratchet gear.

Rotation – See chart for power stroke direction.

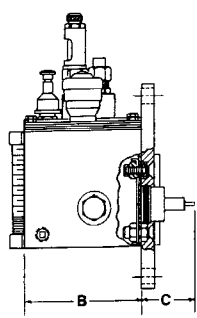
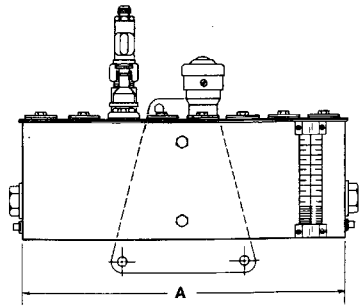
Power Source – Machine drive.

Note: Number following dash in the part number indicates quantity of pumps included.



Model	Reservoir Capacity	Max. No. of Pumps	Drive Location	Power Stroke	Service Sheet Number
800065-1	2 pint / .95L	2	LH	CW	M3-31
800376-2	3 pint / 1.4L	3	RH	CW	M3-31
800118-2	4 Pint / 1.9L	5	RH	CW	M2-164
800100-2	4 Pint / 1.9L	5	LH	CW	M3-31
800031-3	8 Pint / 3.8L	5	RH	CW	M3-31

Model	Dimensions—in. / mm					Shaft Dia.
	A	B	C	D	E	
800065-1	3¾ / 95	5⅝ / 137	3 / 76	6⅞ / 167	10½ / 269	⅝ / 16
800376-2	5½ / 140	7⅞ / 181			10¼ / 273	
800118-2		10⅝ / 270			10⅝ / 264	
800100-2		10¼ / 273			10¼ / 273	
800031-3						

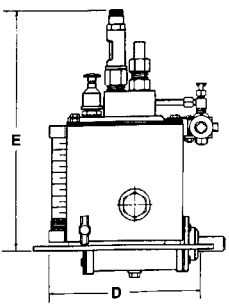
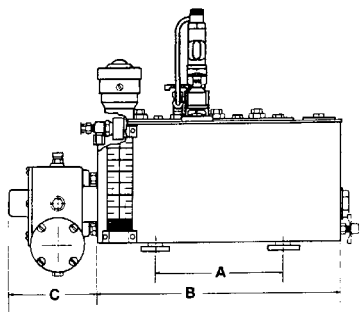


Rear Rotary Drive Lubricators

Note: Number following dash in the part number indicates quantity of pumps included.

Model	Reservoir Capacity	Max. No. of Pumps	Drive Location	Ratio	Service Sheet Number
800469-2	3 pint / 1.4L	2	LH	80:1	M2-48
800621-4	8 Pint / 3.8L	6	LH	60:1	M2-42
800784-2	8 Pint / 3.8L	6	LH	137.5:1	M3-18

Model	Dimensions—in. / mm			Shaft Dia.
	A	B	C	
800469-2	7 ¹ / ₈ / 181	5 ⁵ / ₁₆ / 132	2 ⁷ / ₃₂ / 71	5 ⁵ / ₈ / 16
800621-4	10 ⁵ / ₈ / 270	5 ⁵ / ₁₆ / 132	1 ¹ / ₈ / 48	5 ⁵ / ₈ / 16
800784-2	14 ¹ / ₈ / 359	5 ⁵ / ₁₆ / 132	2 ¹ / ₄ / 57	1 ¹ / ₂ / 13

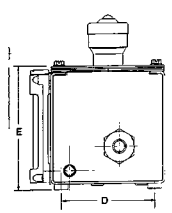
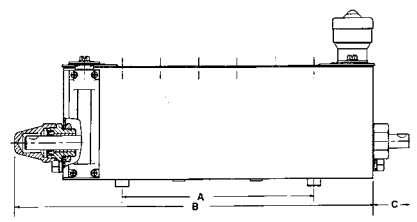


Left-Hand Rear Gearhead Drive Lubricators

Note: Number following dash in the part number indicates quantity of pumps included.

Model	Reservoir Capacity	Max. No. of Pumps	Ratio	Service Sheet Number
800059-1	4 pint / 1.9L	5	60:1	M2-19
800059-2				

Model	Dimensions—in. / mm					Shaft Dia.
	A	B	C	D	E	
800059-1	5 ¹ / ₂ / 140	10 ⁵ / ₈ / 270	3 ¹ / ₁₆ / 97	6 ¹ / ₁₆ / 167	10 ⁷ / ₈ / 276	5 ⁵ / ₈ / 16
800059-2						



End Rotary Drive Tandem Lubricators

Drive Data: Type – End rotary all gear.

Rotation – Either clockwise or counterclockwise.

Power Source – Machine drive; also suitable for motor drive.

Note: Pumps and slot covers must be purchased separately

Model	Reservoir Capacity	Max. No. of Pumps	Drive Location	Ratio	Service Sheet Number
847400	8 pint / 3.8L	6	RH	300:1	M2-218

Model	Dimensions—in. / mm					Shaft Dia.
	A	B	C	D	E	
847400	8 ³ / ₄ / 222	16 ⁵ / ₁₆ / 414	2 ⁵ / ₈ / 67	4 ¹ / ₄ / 108	5 ⁷ / ₁₆ / 138	5 ⁵ / ₈ / 16