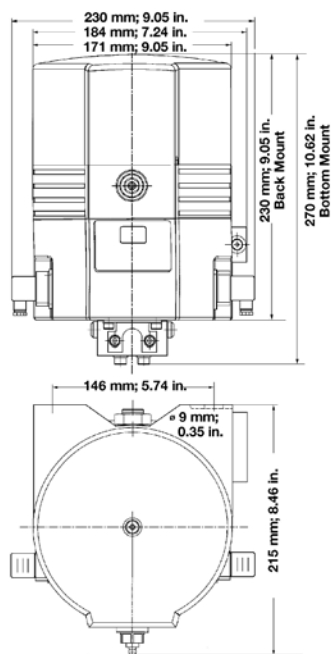




## QLS 301

It's compact, rugged, easy to install and easy to use. It has a long list of standard features including built-in controller with LED display and keypad for easy programming, system cycle monitoring, a built-in low-level control and remote monitoring capability. For those who thought the reduced downtime and improved safety of automated lubrication were out of reach, and for those waiting for a cost-effective system for their smaller machinery, the reliable QLS 301 is the answer. It's automatic lubrication "made easy." Same as QLS 401 except has spring-loaded follower allowing for mounting pump horizontally.



<b>Operating Voltage:</b>	12 and 24 VDC 120 and 230 VAC, 50/60 Hz
<b>Operating Current:</b>	12 VDC / 2.0 A 24 VDC / 1.0 A 120 VAC / 1.0 A 230 VAC / 0.5 A
<b>Operating Temperature:</b>	-10° to 158°F / -25° to 70°C
<b>Number of Outlets:</b>	6, 8, 12 or 18
<b>Reservoir Capacity:</b>	61 in <sup>3</sup> / 1.0 L
<b>Protection:</b>	NEMA 4
<b>Lubrication Cycle Time:</b>	AC: 20 min. to 60 hours DC: 4 min. to 60 hours
<b>Number of Cycles:</b>	For VDC: 1 to 5 cycles For VAC – SSV6/SSV8: 1 to 3 cycles For SSV12/SSV18: 1 cycle
<b>Timer Memory:</b>	Indefinite
<b>Maximum Operating Pressure:</b>	3000 psig / 205 bar
<b>Output per Outlet &amp; Cycle:</b>	approx. 0.012 in <sup>3</sup> / approx. 0.2 cm <sup>3</sup>
<b>Lubricant:</b>	NLGI 2 grease
<b>Weight</b>	12.5 lbs. / 5.7 kg

## Model Specifications

Model No.	Valve Type	Valve Mount	Volt	Cable
P301 31211154	SSV6	Back	12 DC	30' / 10m
P301 31411154	SSV6	Back	24 DC	30' / 10m
P301 42611114	SSV8	Bottom	120 AC	none
P301 42811114	SSV8	Bottom	230 AC	none
P301 61211154	SSV12	Back	12 DC	30' / 10m
P301 61411154	SSV12	Back	24 DC	30' / 10m
P301 62611114	SSV12	Bottom	120 AC	none
P301 62811114	SSV12	Bottom	230 AC	none
P301 91211154	SSV18	Back	12 DC	30' / 10m
P301 91411154	SSV18	Back	24 DC	30' / 10m
P301 92611114	SSV18	Bottom	120 AC	none
P301 92811114	SSV18	Bottom	230 AC	none

**Note:** All models include low-level.