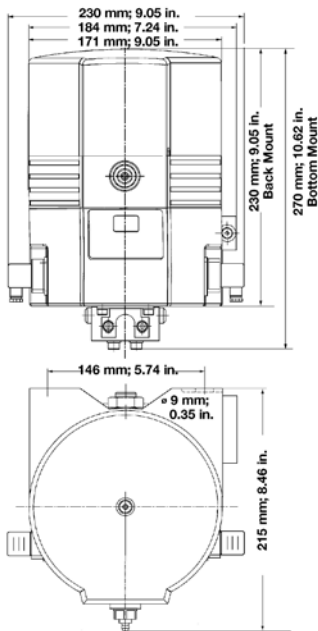


# Quicklub® Lubrication Systems

## Electric Oil Pumps—QLS 311 Series



### QLS 311

Unit includes pump, control monitor and metering valve and is ready to go “out of the box.” Pump includes built-in controller with LED display and keypad for easy programming, system cycle monitoring, a built-in low-level control and remote monitoring capability. Unit offers the advantages of automated lubrication, including reduced downtime and improved safety, to machinery large and small.

<b>Operating Voltage:</b>	12 and 24 VDC 120 and 230 VAC; 50/60 Hz
<b>Operating Current:</b>	12 VDC / 2.0 A 24 VDC / 1.0 A 120 VAC / 1.0 A 230 VAC / 0.5 A
<b>Operating Temperature:</b>	-10° to 158°F / -25° to 70°C
<b>Number of Outlets:</b>	6, 8, 12 or 18
<b>Reservoir Capacity:</b>	61 in <sup>3</sup> / 1.0 L
<b>Protection:</b>	NEMA 4
<b>Lubrication Cycle Time:</b>	AC: 20 min. to 60 hours DC: 4 min. to 60 hours
<b>Number of Cycles:</b>	For VDC: 1 to 5 cycles For VAC – SSV6/SSV8: 1 to 3 cycles For SSV12/SSV18: 1 cycle
<b>Timer Memory:</b>	Indefinite
<b>Max. Operating Pressure:</b>	1160 psig / 80 bar
<b>Output per Outlet &amp; Cycle:</b>	approx. 0.012 in <sup>3</sup> / approx. 0.2 cm <sup>3</sup>
<b>Lubricant:</b>	oil with at least 40cSt.
<b>Weight</b>	12.5 lbs. / 5.7 kg

### Model Specifications

Model No.	Valve Type	Valve Mount	Volt	Cable
P311 31211154	SSV6	Back	12 DC	30' / 10m
P311 61211154	SSV12	Back	12 DC	30' / 10m
P311 91211154	SSV18	Back	12 DC	30' / 10m
P311 31411154	SSV6	Back	24 DC	30' / 10m
P311 61411154	SSV12	Back	24 DC	30' / 10m
P311 91411154	SSV18	Back	24 DC	30' / 10m
P311 42611114	SSV8	Bottom	120 AC	none
P311 42811114	SSV8	Bottom	230 AC	none
P311 62611114	SSV12	Bottom	120 AC	none
P311 92611114	SSV18	Bottom	120 AC	none
P311 62811114	SSV12	Bottom	230 AC	none
P311 92811114	SSV18	Bottom	230 AC	none

**Note:** All models come with a low-level indicator and remote contacts.