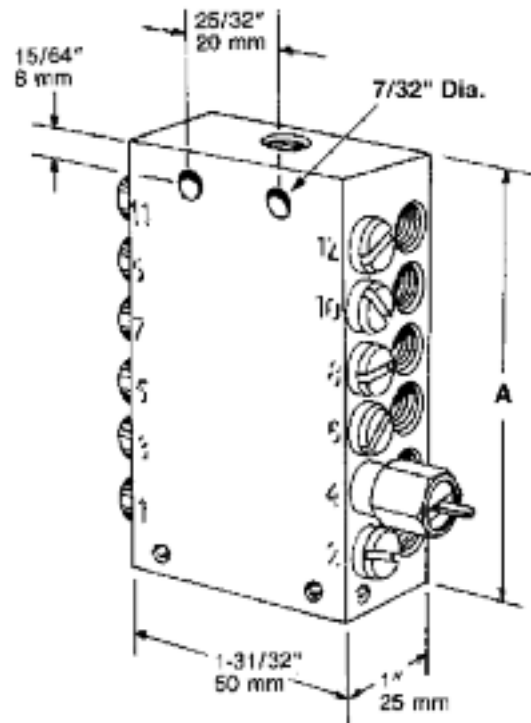
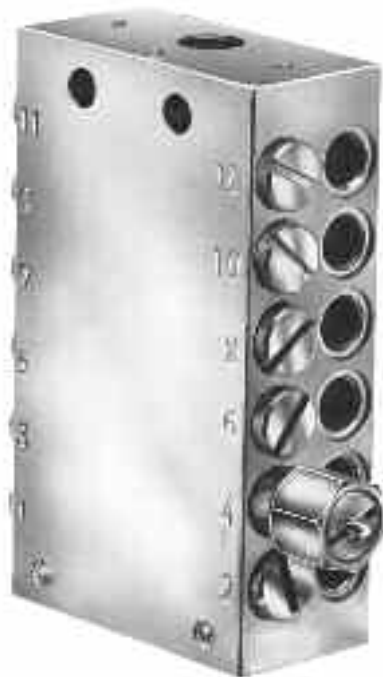


SSVM Divider Valves



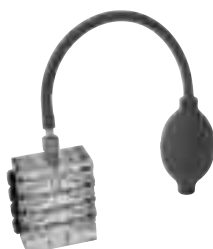
The SSVM Divider Valve is smaller in overall size than the SSV series and provides smaller volume output per outlet. Available with six to 12 outlets, the SSVM series valve is used primarily in oil system applications.

Specifications:

Construction Material	Maximum Operating Pressure	Output/Cycle per Outlet cu. in. / cc	Lubricant Inlet	Operating Temperature	
				Min.	Max.
Carbon Steel	2900 psig / 200 bar	.0037 / .07	1/8" NPTF(F)	-22°F (-25°C)	212°F (70°C)

Model No.	Maximum Number of Outlets	Cycle Indicator Pin	Dimension A in. / mm
Carbon Steel			
619-26764-1	6	No	1.91 / 48.5
619-26765-3		Yes	
619-26650-1	8	No	2.36 / 60
619-26651-3		Yes	
619-26848-1	10	No	2.81 / 71.5
619-26849-2		Yes	
619-26653-1	12	No	3.26 / 83
619-26654-3		Yes	

Note: You must use outlets 1 and 2 in all systems.



Divider Valve Accessories

Model Number	Description
619-36732-1	Demonstration Valve (see-through block)