



Model 91031



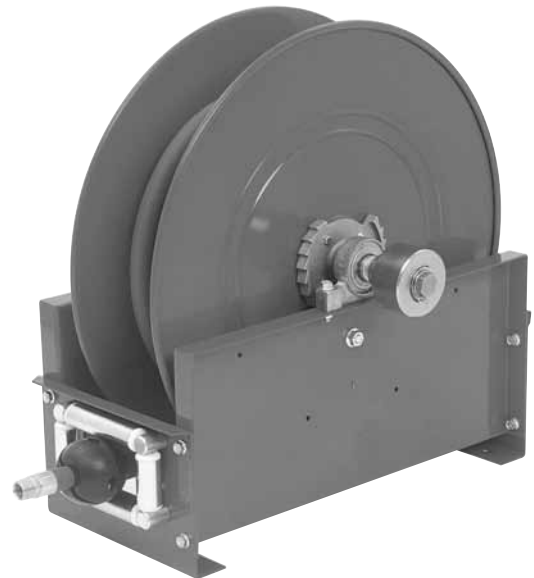
Model 83753



Model 94154



Model 82206



Model 84433

Hose reels and accessories

Power cord and light hose reels	132
Value series air hose reels	134
Mini workbench hose reels	135
Lincoln heavy-duty fluid reel (LFR) series	136
Dual support heavy-duty fluid reel (LFR) series	139
Heavy-duty series hose reels	140
High-flow series reels	144
Hose and hose reel accessories	146
Decorative hose reels	148



Power cord and light hose reels

Model 91029



Introducing Lincoln's new line of power cord and light reels. Designed for light-, medium- and heavy-duty applications in home, shop and factory environments.

Power cord reels

- Clear triple tap illuminates when receiving power
- Overload protection
- Adjustable cord stop with anti-kink cord spring
- 4 ft. (1,2 m) connection lead
- 125 V AC input voltage
- cUL listed

Model 91029 medium duty

- 50 ft. (15,2 m) 14/3 SJTOW cord - cold weather compatible, grease, oil and water resistant
- Heavy-duty flame resistant ABS housing
- Wall, ceiling or bench mounted with three fixed-angle positions
- 12 amp rating

Model 91026



Fluorescent light reels

- Super bright 13 W fluorescent PCB electronic bulb
- Soft PVC handle and top cap for superior impact protection
- Fully enclosed safety switch
- Shatter-proof design light extension with polycarbonate clear tube
- Steel wire hooks for hanging light while you work
- Steel retraction spring for positive reel winding
- Adjustable cord stop with anti-kink cord spring
- cUL listed
- 125 V AC input voltage
- 4 ft. (1,2 m) connection lead

Model 91026 medium duty

- 50 ft. (15,2 m) 18/2 SJTOW cord – cold weather compatible, grease, oil and water resistant
- Heavy-duty flame resistant ABS housing
- Wall, ceiling or bench mounted with three fixed-angle positions
- 12 amp rating

Model 91027



LED light reels

- 50 ft. (15,2 m) 18/2 SJTOW cord – cold weather compatible, grease, oil and water resistant
- Soft PVC handle and top cap for superior impact protection
- Fully enclosed safety switch
- Wall, ceiling or bench mounted with three fixed-angle positions
- Shatter-proof design light extension with polycarbonate clear tube
- Steel retraction spring for positive reel winding
- Adjustable cord stop with anti-kink cord spring
- cUL listed
- 125 V AC input voltage
- 4 ft. (1,2 m) connection lead

Model 91027 medium duty

- 30 super bright premium white LEDs
- Curved chrome plated panel focuses the light intensity on work area
- Steel wire hooks for hanging light while you work

Model 91028



Model 91028 medium duty

- 60 super bright premium white LEDs
- 360° rotating plastic hook

Heavy duty reels

- Spring retractable with latch
- Compact for critical space requirements
- Durable abrasion and corrosion resistant baked-on powder coat finish
- Wall, ceiling or bench mount
- Engineered for industrial use
- All models supplied with cord are complete with approximately 4 ft. (1,2 m) pigtail and three-prong plug
- Adjustable cord stop
- cUL listed

Model 91030

- Single receptacle
- 50 ft. (15,2 m) 16/3 SJTOW cord – cold weather compatible, grease, oil and water resistant
- 13 amp rating

Model 91031

- Single receptacle
- 45 ft. (13,7 m) 12/3 SJEOW cord
- 20 amp rating

Model 91032

- Duplex outlet box with GFCI (F)
- 45 ft. (13,7 m) 12/3 SJEOW cord
- 20 amp rating

Model 91033

- Fluorescent light
- 50 ft. (15,2 m) 16/2 SJTOW cord – cold weather compatible, grease, oil and water resistant

Model 91034

- Fluorescent light and outlet
- 50 ft. (15,2 m) 16/3 SJTOW cord – cold weather compatible, grease and oil resistant
- 10 amp rating

Model 91035

- Two 4 watt, high-output LEDs provide bright, even light over the work surface
- 1 watt lensed output LED flashlight at the end provides bright light in tight spaces
- Polycarbonate impact- and shatter-resistant light tube
- Quiet speed-latching mechanism maintains desired working length of cord
- Inline molded tool tap capable of drawing up to 13 A (maximum)
- Protected two-way on/off switch located on handle
- Suited for indoor applications only

Model 91030



Model 91032



Model 91033



Model 91034



Model 91035



4



Value series air and water hose reels

Air and water reel – value series

Lincoln’s value series air and water hose reels are constructed of durable, heavy-gauge steel and quality hoses. Designed for stationary indoor and outdoor use, they can be attached to most surfaces that can be drilled. Features include five-position adjustable outlet roller arm, spring-powered automatic recoil, angled hose guide for smooth, parallel hose pull-out and retraction and an eight-position ratchet gearing that locks the reel at the desired hose length.

Model 83753

3/8 in. x 50 ft. (15 m) assembled air and water hose reel includes bare hose reel, 50 ft. (15 m) delivery hose and ball stop.

Model 83754

1/2 in. x 50 ft. (15 m) assembled air and water hose reel includes bare hose reel, 50 ft. (15 m) delivery hose and ball stop.

Value series air and water reel models

Model	Assembly	Inlet size NPT	Maximum pressure		Maximum air flow	
			psi	bar	cfm	m ³ /min.
–	–	in.				
83753	50 ft. (15,2 m) of 3/8 in. air/water hose	1/4	300	21	25	0,7
83754	50 ft. (15,2 m) of 1/2 in. air/water hose	1/2	300	21	35	1

Replacement hose models

Model	Assembly	Inlet size NPT	Maximum pressure		Maximum air flow	
			psi	bar	cfm	m ³ /min.
–	–	in.				
278752	50 ft. (15,2 m) of 1/2 in. air/water hose	1/2	300	21	35	1
278749	50 ft. (15,2 m) of 3/8 in. air/water hose	1/4	300	21	25	0,7

Replacement swivels models

Model	Swivel
83753	279135
83754	279136

Mini workbench hose reels

Lincoln's smallest reel excels in the tightest places.

- Compact size allows for easy installation under workbenches or in cabinets
- Narrow 5 1/4 in. (133,4 mm) width and 14 in. (355,6 mm) spool makes this the most narrow reel in its class
- 1 in. (25,4 mm) quality spring provides reliable, consistent performance and retractability
- 5-year warranty
- Integrated swivel stem and shaft design means easy servicing by simply removing the swivel body
- High gloss, UV-resistant powder coat finish reduces scuffs and impact marks

Model 81133



4

Mini workbench reel technical data

Model	81133	81323
Pressure	Low	Medium
Fluid	Air and water	Oil
Diameter	3/8 in.	3/8 in.
Length	35 ft. (10,7 m)	25 ft. (7,6 m)

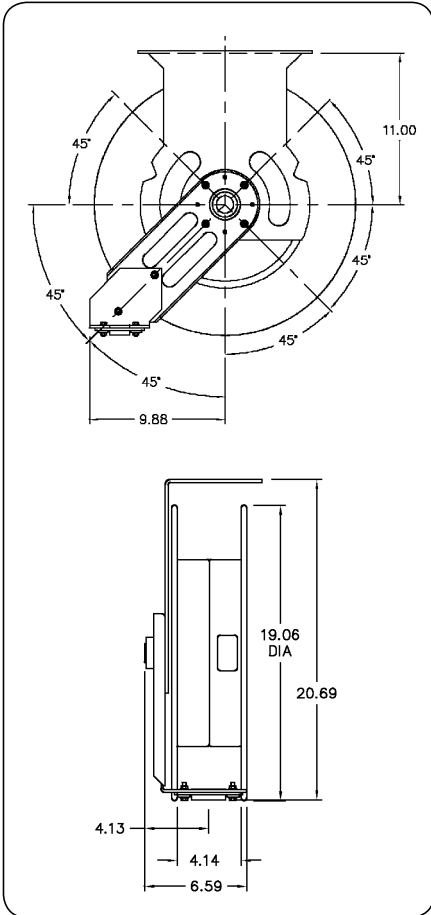
Ball stops

Model	Description	Hose type	Size
–	–	–	in.
85515	Adjustable	RMA Class A	5/8
85516	Adjustable ball stop	RMA Class A and 74	11/16 to 23/32
85517	Adjustable	73, 74, 76A and 76B	27/32 to 31/32
84347	Adjustable	78 and 78B	11/32
84122	Adjustable	–	1 3/4 to 1 7/8
84257	Adjustable	–	1 1/2 to 1 5/8

Model 85515



Lincoln's heavy-duty fluid reel series



Lincoln's heavy-duty fluid reel series (LFR) incorporates both new and proven design features and capabilities.

Features

- Low-pressure, fully ported swivel designed to be corrosion resistant when used for air and water-based solutions.
- Medium-pressure, fully ported swivel provides unrestricted flow, dispensing higher volumes of fluid.
- High-pressure swivel includes quick-disconnect for easy hose attachment.
- Two hose clamps perfectly spaced to prevent the hose from locking in the fully extended position.
- Easily accessible – yet fully contained – power springs designed for optimum performance at various operating pressures.
- Dual needle bearings reduce the stress on the spring, providing smooth, balanced operation during both hose extension and retraction.

- Rounded edges on hose guide face enhance safety.
- Electroless nickel plated, corrosion-resistant, low-pressure axle prevents contamination of fluid and restriction of flow.
- Double ratchet teeth provide solid latch to lock hose in multiple usable positions.
- Mounting base accepts Lincoln model 82206 mounting pattern and is slotted at both ends for easy installation.
- Powder-coat finish creates a corrosion-resistant reel that stands up to the elements.

LFR technical data			
Pressure application	High	Medium	Low
Hose diameter	1/4 in. 3/8 and 1/2 in.	1/2 in.	1/4 and 3/8 in. 1/2 in.
Maximum working pressure	5 000 psi (340 bar) 4 000 psi (272 bar)	1 500 psi (102 bar)	250 psi (17 bar) 200 psi (13,6 bar)

Hose reel designation system					
94	5	5	2	G	BK
	Pressure	Hose length	Hose diameter	Valve	Color
	5 – High	5 – 50 ft. (15 m)	2 – 1/4 in.	G – 740	(Blank) – red
	3 – Medium	3 – 30 ft. (9 m)	3 – 3/8 in.	H – 3050	-BK – black
	1 – Low	6 – 60 ft. (18 m)	4 – 1/2 in.	A – Air coupler/tire W – Bibbcock	-MB – sapphire blue -RB – signal blue

Hose reels and accessories – Lincoln's heavy-duty fluid reel (LFR) series



Model 94000



Model 94552G

Bare reel specifications

Model	Application	Hose capacity Rating	Type	Size		Maximum pressure ²⁾ Working		Inlet size NPT (f)
				ft.	m	psi	bar	
–	–	–	–	–	–	–	–	–
94100 ¹⁾	Air, A-F, water, ww	RMA	Class A	60	18	1 000	69	1/2
94300 ¹⁾	Oil	SAE100R3	73	60	18	4 000	276	1/2
94500 ¹⁾	Grease	SAE100R2	75, 76	50	15	8 000	552	3/8

High-pressure grease reels and assemblies – grease reel and hose assemblies

Model	Description			Included with reel assemblies				
	Diameter	Length		Bare reel	Connecting hose	Delivery hose	Ball stop	Control valve or meter
–	in.	ft.	m	–	–	–	–	–
94532	1/4	30	9	94500	75024	75360	85515	–
94552	1/4	50	15	94500	75024	75600	85515	–
94553 ¹⁾	3/8	50	15	94500	76024B	76600B	85516	–

High-pressure grease reels and assemblies – grease assemblies with universal swivel and control valve

Model	Description			Included with reel assemblies				
	Diameter	Length		Bare reel model	Connecting hose	Delivery hose	Ball stop	Control valve or meter
–	in.	ft.	m	–	–	–	–	–
94532G	1/4	30	9	94500	75024	75360	85515	81387 and 740
94552G	1/4	50	15	94500	75024	75600	85515	81387 and 740
94553H	3/8	50	15	94500	76024B	76600B	85516	81729 and 3050

Medium-pressure oil reels and assemblies – oil reel and hose assemblies

Model	Description			Included with reel assemblies				
	Diameter	Length		Bare reel model	Connecting hose	Delivery hose	Ball stop	Control valve or meter
–	in.	ft.	m	–	–	–	–	–
94334 ¹⁾	1/2	30	9	94300	73024	73360	85517	–
94354 ¹⁾	1/2	50	15	94300	73024	73600	85517	–
94364	1/2	60	18	94300	73024	73720	85517	–

¹⁾ Denotes that these models are available in black (-BK), sapphire blue (-MB) and signal blue (-RB) in addition to the standard Lincoln red. Add the paint suffix to the end of the existing part number (e.g. 94100-BK)

²⁾ Actual working pressure of the reel should not exceed pressure rating of the installed hose. 60 ft. (18 m) hose should be used on installations allowing for a 10 to 12 ft. (3 to 3,7 m) hose hand down.

Hose reels and accessories – Lincoln's heavy-duty fluid reel (LFR) series



Model 94153

Low-pressure reels and assemblies – air, water, A-F, WW fluid reel and hose assemblies

Model	Description			Included with reel assemblies				
	Diameter	Length		Bare reel model	Connecting hose	Delivery hose	Ball stop	Control valve or meter
–	in.	ft.	m	–	–	–	–	–
94132	1/4	30	9	94100	74024	72360	85515	–
94133	3/8	30	9	94100	74024	72360A	85516	–
94152	1/4	50	15	94100	74024	72600	85515	–
94153¹⁾	3/8	50	15	94100	74024	72600A	85516	–
94154¹⁾	1/2	50	15	94100	74024	74600	85517	–
94163	3/8	60	18	94100	74024	72720A	85516	–
94153M²⁾	3/8	50	15	94100	74024	72600A	85516	–
94154M²⁾	1/2	50	15	94100	74024	74600	85517	–

¹⁾ Denotes that these models are available in black (-BK), sapphire blue (-MB) and signal blue (-RB) in addition to the standard Lincoln red. Add the paint suffix to the end of the existing part number (e.g. 94100-BK)

²⁾ "M" models denote a high spring for use when using a metered control handle.

Low-pressure air reels and assemblies – air assemblies with air coupler and tire chuck

Model	Description			Included with reel assemblies				
	Diameter	Length		Bare reel model	Connecting hose	Delivery hose	Ball stop	Control valve or meter
–	in.	ft.	m	–	–	–	–	–
94132A	1/4	30	9	94100	74024	72360	85515	815/11659/66951
94133A	3/8	30	9	94100	74024	72360A	85516	815/11659/66951
94152A	1/4	50	15	94100	74024	72600	85515	815/11659/66951
94153A	3/8	50	15	94100	74024	72600A	85516	815/11659/66951
94154A	1/2	50	15	94100	74024	74600	85517	815/11659/66951

Low-pressure water/antifreeze reels and assemblies – assemblies with water/antifreeze bibbcock

Model	Description			Included with reel assemblies				
	Diameter	Length		Bare reel model	Connecting hose	Delivery hose	Ball stop	Control valve or meter
–	in.	ft.	m	–	–	–	–	–
94132W	1/4	30	9	94100	74024	72360	85515	846 bibbcock
94133W	3/8	30	9	94100	74024	72360A	85516	846 bibbcock
94152W	1/4	50	15	94100	74024	72600	85515	846 bibbcock
94153W	3/8	50	15	94100	74024	72600A	85516	846 bibbcock
94154W	1/2	50	15	94100	74024	74600	85517	846 bibbcock

Dual support heavy-duty LFR hose reels

The 50 and 75 ft. (15 and 23 m) dual support hose reel - exceptional stability for rugged, demanding applications

Features and benefits

- The 50 and 75 ft. (15 and 23 m) dual support hose reel is designed based on the proven 94000 series reels with the added feature of greater hose length and more support
- The heavy-duty reel includes a dual arm and dual pedestal that gives the needed foundation for demanding environments
- Dual support from base to axle to roller outlet provides stability for applications with heavy vibration and impact
- Easy to install
- Assembled reels come with 50 and 75 ft. (15 and 23 m) delivery hose, ball stop and 2 ft. (0.6 m) inlet hose
- 75 ft. (23 m) hose for use in high ceiling, fleet and municipalities, mining workshops and applications requiring shared reel banks
- Special 5-year warranty



Models 94300 and 94400

Dual support hose reels models

Model	Description	Hose		Application	Maximum pressure		Inlet size NPT (f)	
		Diameter	Length		psi	bar		
–	–	in.	ft.	m			in.	
94100DS	Bare reel	–	60	18	Air and water	1 000	69	1/2
94200DS	Bare reel	–	75	23	Air and water	1 000	69	1/2
94300DS	Bare reel	–	50	15	Oil	4 000	276	1/2
94400DS	Bare reel	–	75	23	Oil	4 000	276	1/2
94500DS	Bare reel	–	50	15	Grease	8 000	552	3/8
94600DS	Bare reel	–	75	23	Grease	8 000	552	3/8
94163DS	Assembled	3/8	60	18	Air and water	300	21	1/2
94154DS	Assembled	1/2	50	15	Air and water	300	21	1/2
94273DS	Assembled	3/8	75	23	Air and water	300	21	1/2
94274DS	Assembled	1/2	75	23	Air and water	300	21	1/2
94354DS	Assembled	1/2	50	15	Oil	2 000	138	1/2
94474DS	Assembled	1/2	75	23	Oil	2 000	138	1/2
94553DS	Assembled	3/8	50	15	Grease	4 000	276	3/8
94673DS	Assembled	3/8	75	23	Grease	4 000	276	3/8

Heavy-duty series hose reels

Model 82206



The heavy-duty series reels are the finest Lincoln lube reels ever designed. Years of engineering, testing and experience preceded their introduction. The quality and reliability the professional expects from Lincoln is not only met but exceeded in form and function by the heavy-duty series. Value, long-life and top performance were the criteria demanded before these incredible reels were released.

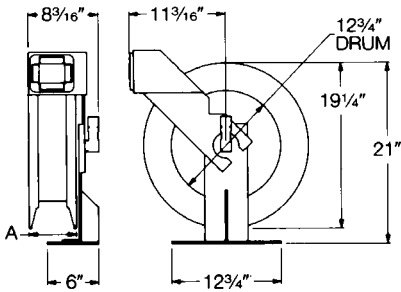
You should expect the best from Lincoln and the heavy-duty series reel delivers it.

- Spring canister with seals
- Thirteen position roller outlet arm
- Delrin rollers
- Quarter-inch thick steel welded base and roller outlet arm
- Reel sheaves are rolled
- Components individually powder painted for long life and scratch resistance
- All reel assemblies factory assembled and pressure tested to insure a quality leak-free installation every time
- Basic reel assemblies can be ordered with one model number; include delivery hose, ball stop and connecting hose
- Complete reel assemblies with meter, control valve or air coupler are also available as one model number
- Backed by a five-year limited warranty. See your Lincoln representative for details

Features

- All bare reels rated for high, medium and low pressure
- Reel assemblies available in standard 30, 40 and 50 ft. (9, 12 and 15 m) hose lengths
- Dual needle roller bearings
- Ball bearing inlet swivel design
- Quick disconnects on delivery and connecting hose

Model 82206



Bare reels for grease, oils, air and water

Model	Reel application	Hose capacity			Inlet size	Pressure Working		Sheave Width	
		Type	ft.	m		psi	bar	in.	mm
82206	Heavy-duty long length	75	50	15	1/2 NPT (f)	8 000*	552	5 1/2	140
		76A	50	15	1/2 NPT (f)	8 000*	552	5 1/2	140
		76B	50	15	1/2 NPT (f)	8 000*	552	5 1/2	140
		73	50	15	1/2 NPT (f)	8 000*	552	5 1/2	140
		78	50	15	1/2 NPT (f)	8 000*	552	5 1/2	140
		Class A	50	15	1/2 NPT (f)	8 000*	552	5 1/2	140

* Actual working pressure of the reel should not exceed pressure rating of the installed hose.

Hose reels and accessories – heavy-duty series



Model 85050



Model 83464-50

High-pressure reels and assemblies – basic grease assemblies* less hose end control

Basic reel	Bare reel	Delivery hose	Hose size			Connecting hose	Ball stop	Control valve
			Diameter	Length				
–	–	–	in.	ft.	m	–	–	–
85003-30	82206	75360	1/4	30	9	75024	85516	–
85004	82206	75480	1/4	40	12	75024	85516	–
85004-50	82206	75600	1/4	50	15	75024	85516	–
85006-30B	82206	76360B	3/8	30	9	76024B	85517	–
85004-50B	82206	76600B	3/8	50	15	76024B	85517	–
85008-50A	82206	76600A	1/2	50	15	76024A	85517	–

Medium pressure reels and assemblies – basic fluid lubricant, antifreeze and windshield washer fluid assemblies* less hose end control

Basic reel	Bare reel	Delivery hose	Hose size			Connecting hose	Ball stop	Control valve
			Diameter	Length				
–	–	–	in.	ft.	m	–	–	–
83463	82206	73240	1/2	20	6	73024	85517	–
83463-30	82206	73360	1/2	30	9	73024	85517	–
83464	82206	73480	1/2	40	12	73024	85517	–
83464-50	82206	73600	1/2	50	15	73024	85517	–
85009-50	82206	78600	5/8	50	15	78024	84347	–

* See pages 144-155 for meter, valve, or air coupler options for end of delivery hose.

Complete grease assemblies with universal swivel and control valve

Assembly	Bare reel	Delivery hose	Included with reel assemblies (quantity)			Ball stop	Control valve or meter	Swivel	Nipple	
			Hose size	Length						Connecting hose
–	–	–	Diameter	ft.	m	–	–	–	–	
85050	82206	75360	1/4	30	9	75024	85516	740	81387	12957(2)
85051	82206	75600	1/4	50	15	75024	85516	740	81387	12957(2)

Hose reels and accessories – heavy-duty series



Model 82206

Low pressure reels and assemblies – basic air, water* less hose end control

Basic reel	Bare reel	Delivery hose	Hose size			Connecting hose	Ball stop	Control valve or meter
			Diameter	Length				
–	–	–	in.	ft.	m	–	–	–
85232	82206	72360	1/4	30	9	72024	85515	–
85011	82206	72600	1/4	50	15	72024	85515	–
85002A	82206	72480A	3/8	40	12	72024A	85516	–
85001	82206	72600A	3/8	50	15	72024A	85516	–
85012	82206	72720A	3/8	60	18	72024A	85516	–
85005	82206	74480	1/2	40	12	74024	85517	–
85010-50	82206	74600	1/2	50	15	74024	85517	–

* See pages 57-65 for meter, valve, or air coupler options for end of delivery hose.

Complete medium pressure assemblies – gear lube

Basic reel	Bare reel	Delivery hose	Hose size			Connecting hose	Ball stop	Control valve or meter
			Diameter	Length				
–	–	–	in.	ft.	m	–	–	–
85053	82206	73600	1/2	50	15	73024	85517	780
85055	82206	73600	1/2	50	15	73024	85517	878 (meter)

Complete medium pressure assemblies – oils

Basic reel	Bare reel	Delivery hose	Hose size			Connecting hose	Ball stop	Control valve or meter
			Diameter	Length				
–	–	–	in.	ft.	m	–	–	–
85056	82206	73360	1/2	30	9	73024	85517	877 (meter)
85057	82206	73600	1/2	50	15	73024	85517	877 (meter)
85058	82206	73360	1/2	30	9	73024	85517	3866 (meter)
85059	82206	73600	1/2	50	15	73024	85517	3866 (meter)



Model 85065

Complete medium pressure assemblies – oils (electrical/digital)

Basic reel	Bare reel	Delivery hose	Hose size		Connecting hose	Ball stop	Control valve or meter
			Diameter	Length			
–	–	–	in.	ft. m	–	–	–
85060	82206	73360	1/2	30 9	73024	85517	967 (meter)
85061	82206	73600	1/2	50 15	73024	85517	967 (meter)

Complete low pressure assemblies – air service

Assembly	Bare reel	Delivery hose	Hose size		Included with reel assemblies			Nipple	Air chuck	Bushing
			Diameter	Length	Connecting hose	Ball stop	Air coupler			
–	–	–	in.	ft. m	–	–	–	–	–	
85062	82206	72600	1/4	50 15	74024	85515	815	11659	66951	12080
85063	82206	72600A	3/8	50 15	74024	85516	815	11659	66951	67069/10049

Complete low pressure assemblies – water service

Assembly	Bare reel	Delivery hose	Included with reel assemblies		Ball stop	Bushing	Bibbcock
			Hose size	Length			
–	–	–	Diameter	Length	–	–	–
–	–	–	in.	ft. m	–	–	–
85064	82206	72600	1/4	50 15	74024	85515	12080
85065	82206	72600A	3/8	50 15	74024	85516	67069/10049

High-flow reels and ball stops

Model 84275



Extra-heavy-duty reels for applications that require high product flow and/or longer hose such as service trucks, lube trucks, transit facilities and large fleet shops.

Model 84672



Model 84275

Extra-heavy-duty dual reel sheave support base design and large hose capacity make this 1/2 in. inlet/outlet reel the ideal high-pressure reel for grease, petroleum oils, air and water.

Model 84672

Extra-heavy-duty high flow design makes this 3/4 in. inlet/outlet reel the perfect medium-pressure reel for petroleum oils, used fluid evacuation, air and water service.

Model 84673



Model 84673

Extra-heavy-duty dual reel sheave support base, high flow design and large hose capacity make this 3/4 in. inlet/outlet reel the ideal medium-pressure reel for petroleum oils, used fluid evacuation, air and water service.

High-flow series reels

Model	Designation	Hose capacity Type	Size		Inlet size NPT (f)	Pressure Working		Sheave Width		Installation size			
			ft.	m		psi	bar	in.	mm	Width	Depth	in.	mm
–	–	in.	ft.	m	in.	psi	bar	in.	mm	in.	mm	in.	mm
84275	Extra-heavy-duty large capacity	78	75	22,9	1/2	5 000	340	10	254	13 1/8	333	12 3/4	324
		75/76A/76B	75	22,9	1/2	5 000	340	10	254	13 1/8	333	12 3/4	324
		73	75	22,9	1/2	5 000	340	10	254	13 1/8	333	12 3/4	324
84672	Extra-heavy-duty high-flow	3/4 ID x 1 1/4 OD	30	9,1	3/4	2 000	138	5 1/2	140	9 15/16	252	12 3/4	324
		73	50	15,2	3/4	2 000	138	5 1/2	140	9 15/16	252	12 3/4	324
		74	50	15,2	3/4	2 000	138	5 1/2	140	9 15/16	252	12 3/4	324
84673	Large capacity	3/4 ID x 1 1/4 OD	75	22,9	3/4	2 000	138	10	254	14 1/2	368	12 3/4	324
		78	75	22,9	3/4	2 000	138	10	254	14 1/2	368	12 3/4	324
84432	Heavy-duty volume	1 OD low pressure	50	15,2	1	300	21	8	203	15 3/4	400	24 1/4	616
89010	Super-duty high-flow	1 1/4 ID x 1 3/4 OD low pressure	50	15,2	1 1/4	500	35	–	–	22 1/8	562	26 1/4	667

Hose reels and accessories – high-flow series

Model 84432

Dual reel sheave support base design and high-flow swivel make this 1 in. inlet/outlet reel the ideal low-pressure/volume reel.

This reel is suitable for gasoline, diesel fuel, fuel oil, air and water. Not suitable for ceiling or wall mounted applications.

Model 84433

1 in. x 50 ft. (15,24 m) volume fuel reel assembly comes complete with spring-powered reel model 84432, 1 in. x 50 ft. (15,24 m) delivery hose model 247926 (1 in. NPT thread), ball stop model 84257 and 1 in. x 2 ft. (0,6 m) connecting hose model 247925. Order control valve/nozzle separately.



4

High-flow reel assemblies

Basic reel	Bare reel	Delivery hose	Hose size	Ball stop	Control valve or meter
84433	84432	247926	1 in. x 50 ft. (15,2 m)	84257	Order separately

Recommended mounting and application

Bare reel	Mounting	Application
84275	Floor, wall, ceiling, lube truck	Grease, oils, air
84672	Floor, wall, ceiling, lube truck	Oils, used fluid evacuation, air, water
84673	Floor, wall, ceiling, lube truck	Oils, used fluid evacuation, air, water
84432	Floor, platform, lube truck	Fuel, volume oils, used fluid evac., air, water

Lincoln high-, medium- and low-pressure hoses – every size for every application

High-pressure hose – grease

Model	Size		Hose type	ID	OD	Thread size	Maximum pressure Working	
	ft.	m					psi	bar
75024	2	0,6	75/100R2A	1/4	11/16	1/2– 27 (f)	5 000	345
75060	5	1,5	75/100R2A	1/4	11/16	1/2– 27 (f)	5 000	345
75084	7	2,1	75/100R2A	1/4	11/16	1/2– 27 (f)	5 000	345
75120	10	3,0	75/100R2A	1/4	11/16	1/2– 27 (f)	5 000	345
75168	14	4,3	75/100R2A	1/4	11/16	1/2– 27 (f)	5 000	345
75240	20	6,1	75/100R2A	1/4	11/16	1/2– 27 (f)	5 000	345
75360	30	9,1	75/100R2A	1/4	11/16	1/2– 27 (f)	5 000	345
75480	40	12,2	75/100R2A	1/4	11/16	1/2– 27 (f)	5 000	345
75600	50	15,2	75/100R2A	1/4	11/16	1/2– 27 (f)	5 000	345
76024B	2	0,6	76B/100R2	3/8	27/32	1/2 NPT (f)	4 000	276
76120B	10	3,0	76B/100R2	3/8	27/32	1/2 NPT (f)	4 000	276
76360B	30	9,1	76B/100R2	3/8	27/32	1/2 NPT (f)	4 000	276
76600B	50	15,2	76B/100R2	3/8	27/32	1/2 NPT (f)	4 000	276
76900B	75	22,9	76B/100R2	3/8	27/32	1/2 NPT (f)	4 000	276
76024A	2	0,6	76B/100R2	1/2	27/32	1/2 NPT (f)	4 000	276
76600A	50	15,2	76B/100R2	1/2	27/32	1/2 NPT (f)	4 000	276

Medium-pressure hose – oil, gear lube and antifreeze

Model	Size		Hose type	ID	OD	Thread size	Maximum pressure Working	
	ft.	m					psi	bar
73024	2	0,6	73/100R3	1/2	13/16	1/2 NPT (m)	1 500	103
73036	3	0,9	73/100R3	1/2	13/16	1/2 NPT (m)	1 500	103
73060	5	1,5	73/100R3	1/2	13/16	1/2 NPT (m)	1 500	103
73120	10	3,0	73/100R3	1/2	13/16	1/2 NPT (m)	1 500	103
73240	20	6,1	73/100R3	1/2	13/16	1/2 NPT (m)	1 500	103
73360	30	9,1	73/100R3	1/2	13/16	1/2 NPT (m)	1 500	103
73480	40	12,2	73/100R3	1/2	13/16	1/2 NPT (m)	1 500	103
73600	50	15,2	73/100R3	1/2	13/16	1/2 NPT (m)	1 500	103
73720	60	18,3	73/100R3	1/2	13/16	1/2 NPT (m)	1 500	103
73900	75	22,9	73/100R3	1/2	13/16	1/2 NPT (m)	1 500	103
1230120	10	3,0	1230/100R2	3/4	1 1/4	3/4 NPT (m)	2 250	155

Hose accessories – ball stops

Lincoln ball stops are used to cushion and stop hose retraction.

Ball stops

Model	Description	Hose type	OD
–	–	–	in.



85515	Adjustable	RMA Class A	5/8
85516	Adjustable ball stop	RMA Class A and 74	11/16 to 23/32
85517	Adjustable	73, 74, 76A and 76B	27/32 to 31/32
84347	Adjustable	78 and 78B	11/32
84122	Adjustable	–	1 3/4 to 1 7/8
84257	Adjustable	–	1 1/2 to 1 5/8

Low-pressure hose – air and water

Model	Size		ID		Thread size	Maximum pressure Working	
	ft.	m	in.	in.		psi	bar
72024	2	0,6	1/4	5/8	1/4 NPT (m)	300	20,68
72036	3	0,9	1/4	5/8	1/4 NPT (m)	300	20,68
72060	5	1,5	1/4	5/8	1/4 NPT (m)	300	20,68
72120	10	3,0	1/4	5/8	1/4 NPT (m)	300	20,68
72240	20	6,1	1/4	5/8	1/4 NPT (m)	300	20,68
72360	30	9,1	1/4	5/8	1/4 NPT (m)	300	20,68
72600	50	15,2	1/4	5/8	1/4 NPT (m)	300	20,68
72024A	2	0,6	3/8	23/32	3/8 NPT (m)	300	20,68
72360A	30	9,1	3/8	23/32	3/8 NPT (m)	300	20,68
72480A	40	12,2	3/8	23/32	3/8 NPT (m)	300	20,68
72600A	50	15,2	3/8	23/32	3/8 NPT (m)	300	20,68
72720A	75	22,9	3/8	23/32	3/8 NPT (m)	300	20,68
72900A	75	22,9	3/8	23/32	3/8 NPT (m)	300	20,68
74024	2	0,6	1/2	27/32	1/2 NPT (m)	300	20,68
74060	5	1,5	1/2	27/32	1/2 NPT (m)	300	20,68
74480	40	12,2	1/2	27/32	1/2 NPT (m)	300	20,68
74600	50	15,2	1/2	27/32	1/2 NPT (m)	300	20,68
74900	75	22,9	1/2	7/8	1/2 NPT (m)	300	20,68
278749	50	15,2	3/8	23/32	1/4 NPT (m)	300	20,68
278752	50	15,2	1/2	27/32	1/2 NPT (m)	300	20,68

Nipples, couplers and bushings for Lincoln 75 grease hose

Bushings

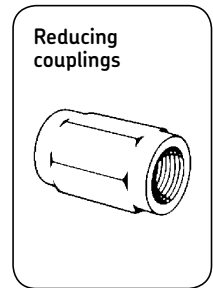
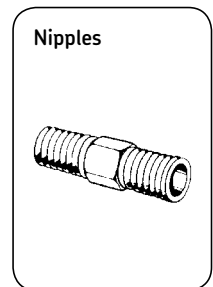
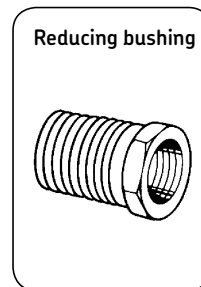
Model	Thread size
–	in.
10200	1/8 NPT (f) x 1/2 – 27 (m)
10204	1/4 NPT (f) x 1/2 – 27 (m)
12287	1/2 – 27 (f) x 1/2 NPT (m)

Reducing couplings

Model	Thread size
–	in.
11852	1/8 NPT (f) x 1/2 – 27 (f)
10522	1/4 NPT (f) x 1/2 – 27 (f)
67171	3/4 NPT (m) x 1/2 NPT (f)

Nipples

Model	Thread size
–	in.
10198	1/4 NPT (m) x 1/2 – 27 (m)
10199	1/8 NPT (m) x 1/2 – 27 (m)
10202	1/2 – 27 (m) x 1/2 – 27 (m)
12957	1/2 NPT (m) x 1/2 – 27 (m)
11197	1/2 NPT (m) x 1/2 NPT (m)



Lincoln high-pressure replacement hose – cross reference

Model	Size
–	in.
Alemite	1/2 – 27 (f) x 1/2 – 27 (f)
Aro	1/8 NPT (m) x 1/8 NPT (f)
Balcrank	1/8 NPT (m) x 1/8 NPT (f)
Graco	1/4 NPT (m) x 1/4 NPT (m)

Decorative hose reels



Lincoln's plastic decorative overhead hose reel cabinets are constructed of a light-weight, durable resin. This design offers dramatically reduced installation time and ease of maintenance. The modular design eliminates reel enclosure end panels. Plastic decorative cabinet models are dent and scratch resistant, non-conductive and non-corrosive.

Model 85641 universal mounting kit

Universal mounting kit allows installation of up to twelve reels, any series, open or decorative. Twelve reels can be installed side by side with this kit or cut to fit your reel installation needs. Includes two mounting struts and hardware to mount 12 reels.

Plastic decorative reel cabinet

Reel type	Cabinets (1 per reel)	Required mounting components	
		Adapter plate kit (1 per reel bank)	Mounting kit (1-12 reels)
LFR	85640	85642	85641
82206	85240	85242	85641

Metal decorative reel cabinet

Reel type	Cabinets (1 per reel)	End panel (1 per pair)	Required mounting components	
			Adapter plate kit (1 per reel bank)	Mounting kit (1-12 reels)
LFR	83872	82164	85642	85641
82206	83872	82164	none needed	85641



Series 3100 heavy-duty, plastic decorative, 30 ft. (9 m)

Model	Description	Bare reel	Delivery hose		Connecting hose	Ball stop	Control valve or meter	Swivel	Coupler	Nipple
			Model	Diameter						
–	–	–	–	in.	–	–	–	–	–	–
3191	Grease with control valve and swivel	82206	75360	1/4	75024	85515	740	81387	–	–
3189	Motor oil/antifreeze with electronic meter	82206	73360	1/2	73024	85517	982	–	–	–
3194	Motor oil/antifreeze with quarts meter	82206	73360	1/2	73024	85517	877	–	–	–
3195	Gear oil with pints meter	82206	73360	1/2	73024	85517	878	–	–	–
3196	Gear oil with control valve	82206	73360	1/2	73024	85517	780	–	–	–
3197	ATF with quarts ATF meter	82206	73360	1/2	73024	85517	883	–	–	–
3193	Air with air chuck	82206	72360	1/4	72024	85515	66951	–	815	11659
3192	Water with bibbcock, 30 ft. (9 m) hose	82206	72360	1/4	72024	85515	846	–	–	–

Series 3200 heavy-duty, plastic decorative, 50 ft. (15 m)

Model	Description	Bare reel	Delivery hose		Connecting hose	Ball stop	Control valve or meter	Swivel	Coupler	Nipple
			Model	Diameter						
–	–	–	–	in.	–	–	–	–	–	–
3291	Grease with control valve and swivel	82206	75600	1/4	75024	85515	740	81387	–	–
3289	Motor oil/antifreeze with electronic meter	82206	73600	1/2	73024	85517	982	–	–	–
3294	Motor oil/antifreeze with quarts meter	82206	73600	1/2	73024	85517	877	–	–	–
3295	Gear oil with pints meter	82206	73600	1/2	73024	85517	878	–	–	–
3296	Gear oil with control valve	82206	73600	1/2	73024	85517	780	–	–	–
3297	ATF with quarts ATF meter	82206	73600	1/2	73024	85517	883	–	815	11659
3198	Air with air chuck	82206	72600	1/4	72024	85515	66951	–	815	11659
3199	Air with air chuck	82206	72600A	3/8	72024A	85516	66951	–	–	–
3190	Water with bibbcock	82206	72600A	3/8	72024A	85516	846	–	–	–