

Typical installation, chassis grease

Typical installations

- Bulk oil systems, motor oil 226
- Chassis grease 228
- Pump and reel 230
- Typical fast lube systems 232
- Lubrication truck accessories 234
- Two oil products 236

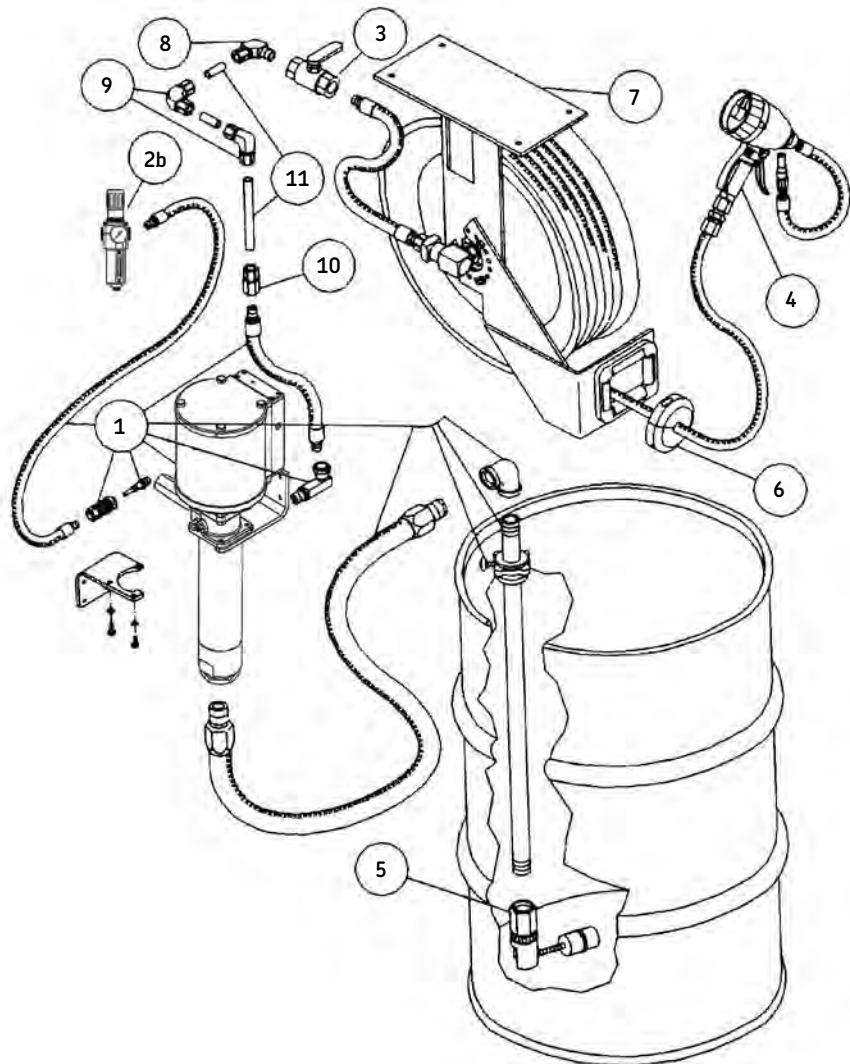
Single reel system from 55 gallon (208 liter) drum – bill of materials

Model	Code	Required	Description
V30500SWM	1	1	5:1 PMV pump, hoses, air and fluid connectors, wall mount bracket, suction kit
602136	2b	1	Modular airline regulator and filter with gauge 3/8 in. NPT (f) for PMV
66084	3	1	Medium-pressure quarter-turn shut-off valve 1/2 in. NPT (f)
877	5	1	Quart totalizing meter
84946	5	1	Low-level cutoff
85517	6	1)	Adjustable
85057	7	1	Heavy-duty hose reel with hose and fluid connectors, 50 ft. (15,24 m) model 73600 hose
2)	8	3)	5/8 in. OD union elbow, 1/2 in. NPT (m)
2)	9	3)	5/8 in. OD 90° tube union
2)	10	3)	5/8 in. OD tube connector, 1/2 in. NPT (f)
2)	11	3)	High-pressure tubing 5/8 in. OD x 0.083 wall

1) Included in each reel assembly
 2) Available from local petroleum equipment service distributor
 3) Requirements vary per system

The following schematics and bills of material are of common lubrication systems. These depictions are for reference and as an aid in system design.

Variables such as length of pipe/tube run, temperature, location and other specific parameters of a system must be taken into consideration. Please refer to detailed specification information for system componentry in previous catalog pages.



WARNING!
 For safe and proper use, always consult instructions accompanying product. See **Safety Warning Information** for appropriate warnings.

Single product to two reels – bill of materials

Model	Code	Required	Description
V305275BB	1	1	5:1 PMV pump, hoses, air and fluid connectors, 275 gal. (1 041 liter) suction kit, bung bushing
602136	2b	1	Modular airline regulator and filter with gauge 3/8 in. NPT (f) for PMV
66084	3	1	Medium-pressure quarter-turn shut-off valve 1/2 in. NPT (f)
877	4	1	Quart totalizing meter
84946	5	1	Low-level cutoff
85517	6	1)	Adjustable
85057	7	1	Heavy-duty hose reel with hose and fluid connectors, 50 ft. (15,24 m) model 73600 hose
2)	8	3)	Nipple, 1/2 x 1/2 in. NPT (m)
2)	9	3)	5/8 in. OD union elbow, 1/2 in. NPT (m)
2)	10	3)	5/8 in. OD tube union tee
2)	11	3)	5/8 in. union elbow, 1/2 in. NPT (m)
2)	12	3)	5/8 in. OD 90° tube union
2)	13	3)	5/8 in. OD tube connector, 1/2 in. NPT (f)
2)	14	3)	High-pressure tubing 5/8 in. OD x 0.083 wall, working pressure: 5 000 psi (345 bar)
2)	15	1	Tank

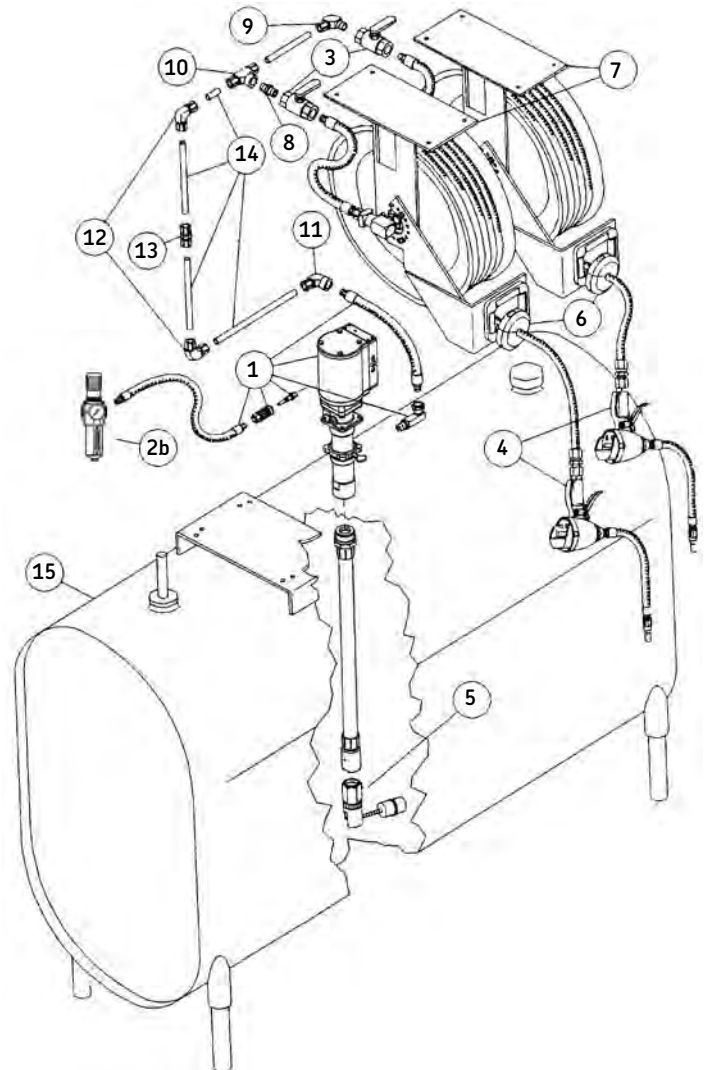
1) Included in 85057 reel assembly

2) Available from local petroleum equipment service distributor

3) Requirements vary per system.

WARNING!

For safe and proper use, always consult instructions accompanying product. See **Safety Warning Information** for appropriate warnings.



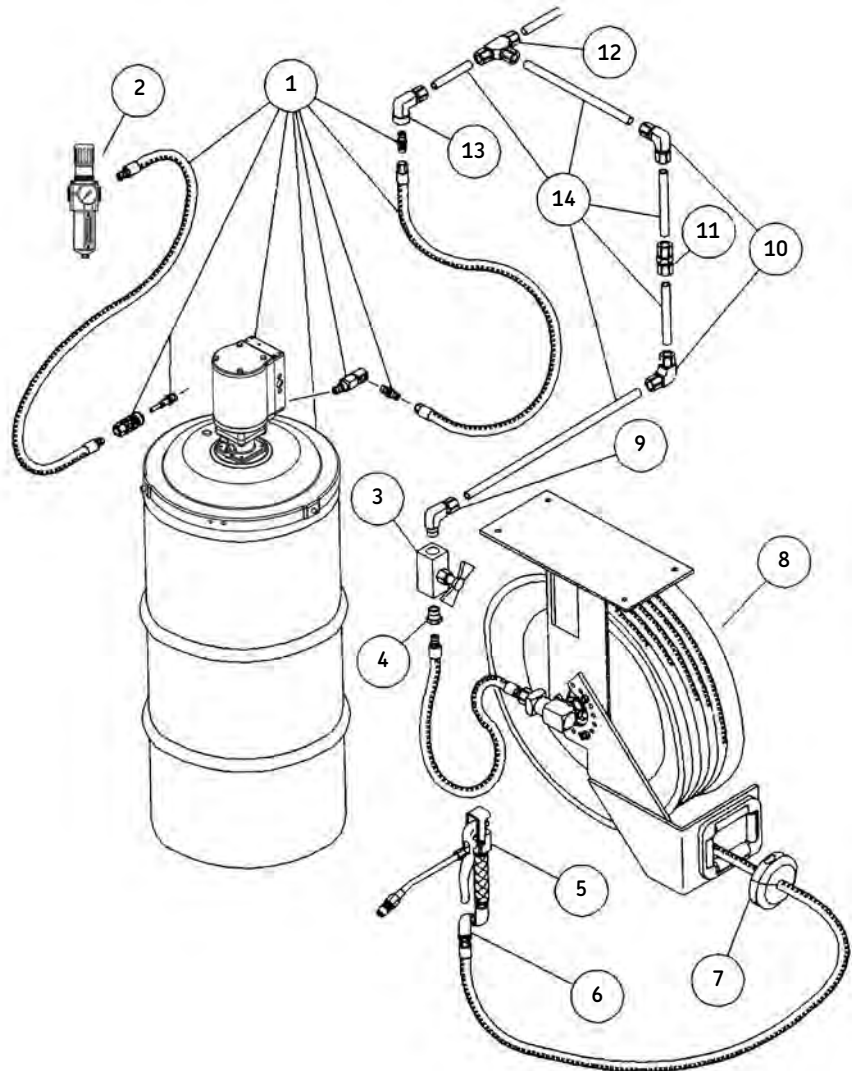
System from 120 lb. (54 kg) drum – bill of materials

Model	Code	Required	Description
V350120DC	1	1	50:1 PMV pump, cover, follower, hoses, air and fluid connectors
602136	2	1	Modular airline regulator and filter with gauge 3/8 in. NPT (f) for PMV
885	3	1	High pressure
12957	4	1	Nipple, 1/2 in. NPT (m) x 1/2 in.-27 (m)
740	5	1)	High pressure control valve 1/4 in. NPT (f)
81387	6	1)	High pressure universal swivel, 1/4 in. NPT (m) x 1/2 in.-27 (m)
85516	7	1)	Adjustable ball stop
85050	8	1	Heavy-duty hose reel with hose and lube connectors, 30 ft. (9,1 m) model 75360 hose
2)	9	3)	5/8 in. OD tube elbow, 1/2 in. NPT (m)
2)	10	3)	5/8 in. OD 90° elbow or union elbow
2)	11	3)	5/8 in. OD tube union
2)	12	3)	5/8 in. tube union tee
2)	13	3)	5/8 in. OD tube elbow, 1/4 in. NPT (f)
2)	14	3)	High-pressure tubing 5/8 in. OD x 0.083 wall, working pressure: 5 000 psi (345 bar)

1) Included in 85057 reel assembly

2) Available from local petroleum equipment service distributor

3) Requirements vary per system



Two delivery points from 400 lb. (181 kg) drum – bill of materials

Model	Code	Required	Description
V350400DC	1	1	50:1 PMV pump, cover, hoses, air and lube connectors
602136	2b	1	Modular airline regulator and filter with gauge 3/8 in. NPT (f) for PMV
885	3	1	High pressure
12957	4	1	Nipple, 1/2 in. NPT (m) x 1/2 in. -27 (m)
740	5	1)	High pressure control valve 1/4 in. NPT (f)
81387	6	1)	Universal
85516	7	1)	Adjustable ball stop
85050	8	1	Heavy-duty hose reel with hose and lube connectors, 30 ft. (9.1 m) model 75360 hose
85051	9	1	Complete reel assembly with 50 ft. (15.24 m) 1/4 in. hose
11197	11a	2	Steel hex nipple 1/2 in. NPT (m)
2)	11	3)	5/8 in. OD tube elbow, 1/2 in. NPT (m)
2)	12	3)	5/8 in. OD 90° union elbow
2)	13	3)	5/8 in. OD tube union
2)	14	3)	5/8 in. tube union tee
2)	15	3)	5/8 in. OD tube elbow, 1/4 in. NPT (f)
2)	16	3)	5/8 in. OD tube union tee, 1/2 in. NPT (f)
2)	17	3)	High-pressure tubing 5/8 in. OD x 0.083 wall, working pressure: 5 000 psi (345 bar)

Model 85825 follower plate recommended for heavy greases and/or cold temperatures

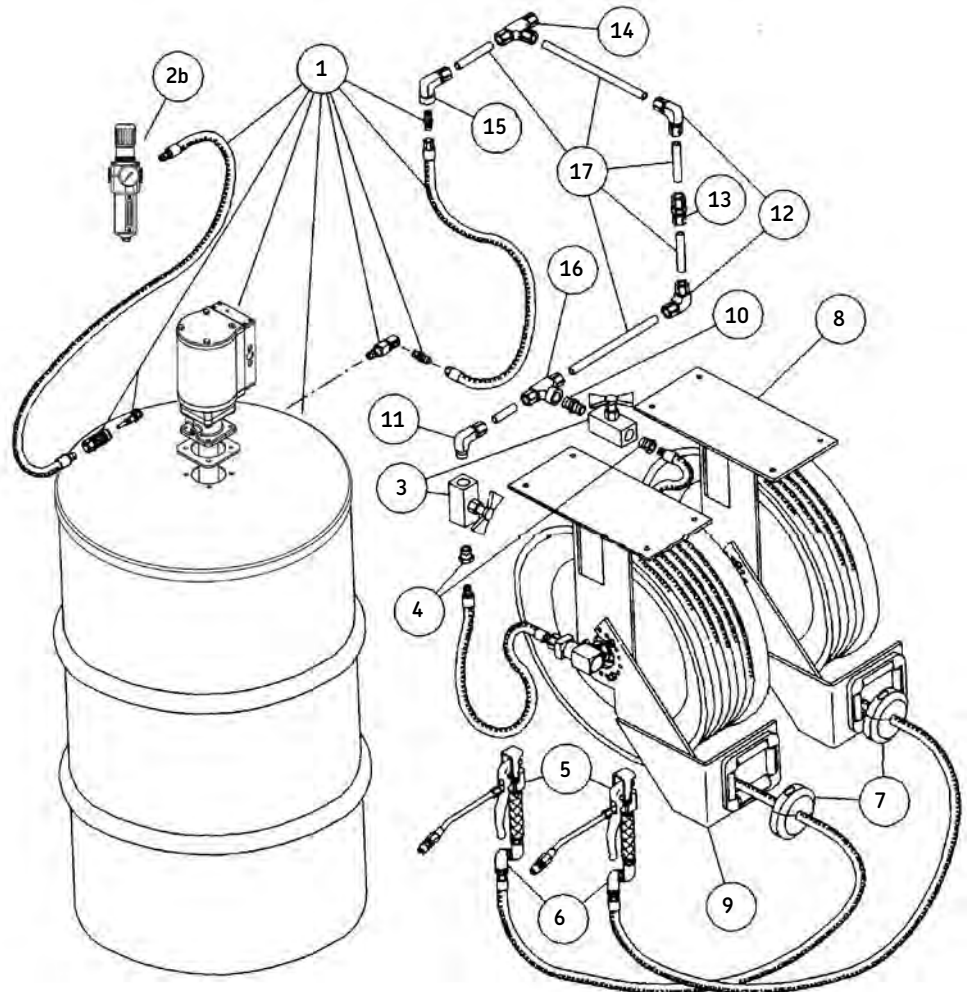
1) Included in model 85057 reel assembly

2) Available from local petroleum equipment service distributor

3) Requirements vary per system

WARNING!

For safe and proper use, always consult instructions accompanying product. See **Safety Warning Information** for appropriate warnings.



Typical installation – bill of materials, lubricating equipment

Model	Code	Required	Description
V450400DC	1	1	50:1 PMV pump, air and grease, hoses, connectors
V410055BB	2	1	10:1 PMV 55 gal. (208 liter) pump, air and oil hose, connectors, suction tube
V40600SWM	3	1	6:1 PMV wall mount pump, connectors, suction tube, air and oil hoses
85636	4a		Dual inlet 1/2 in. air operated diaphragm pump for 50/50 antifreeze/water
84817	4b	1	Wall mount bracket
84945	4c	1	1)
V305275BB	1	1	5:1 PMV pump, hoses, air and fluid connectors, 275 gal. (1 041 liter) suction kit, bung bushing
85051	9	1	Complete reel assembly with 50 ft. (15,24 m) 1/4 in. hose
85055	7	1	Gear lubricant reel
85061	8	1	Motor oil reel
85064	9	1	Antifreeze reel
85061	10	1	ATF reel
85063	11	1	Air service reel
85242	12	6	Mounting rail assembly
602136	2b	1	Modular airline regulator and filter with gauge 3/8 in. NPT (f) for PMV
602134	15	2	Air regulator (with gauge) 1/4 in. NPT (f)
85825	5b	1	Follower plate for PMV
Others	17	2	275 gal. (1 041 liter) ob-round tank

¹⁾ Quantities vary with installation

Typical installation – bill of materials, lubricant supply lines

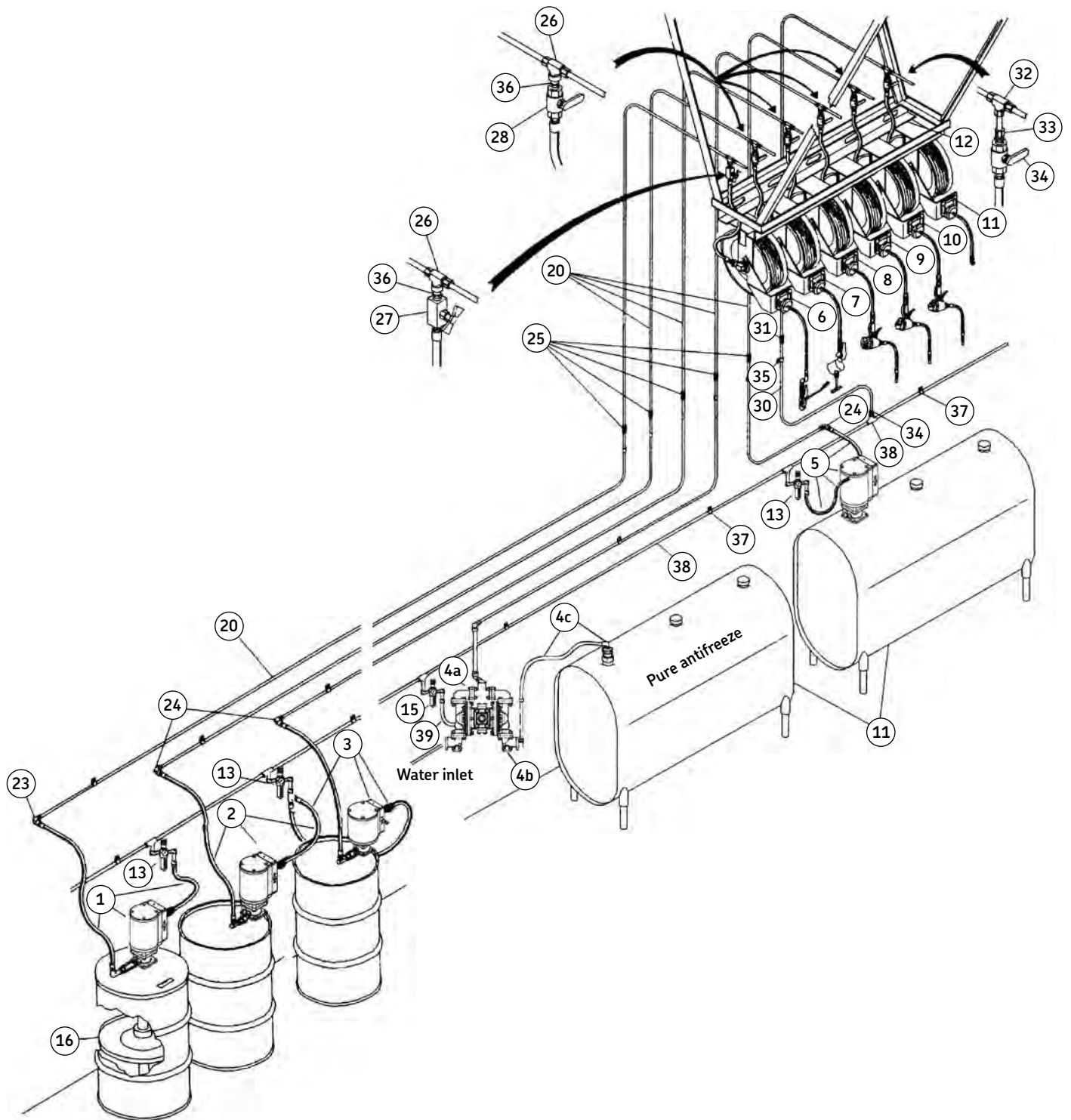
Model	Code	Required	Description
2)	20	3)	High-pressure steel tubing 5/8 in. OD x 0.083 wall, 20 ft. (6,1 m) lengths
2)	21	3)	Medium-pressure steel tubing 5/8 in. OD x 0.049 wall, 20 ft. (6,1 m) lengths
2)	22	3)	Alternate for antifreeze 15 PVC or copper pipe
2)	23	1	5/8 in. OD tube elbow, 1/2 in. NPT (m)
2)	24	4	5/8 in. OD tube elbow, 1/2 in. NPT (f)
2)	25	5	5/8 in. OD tube union
2)	26	5	5/8 in. OD tube union tee, 1/2 in. NPT (f)
885	3	1	High pressure
66084	3	1	Medium-pressure quarter-turn shut-off valve 1/2 in. NPT (f)
12080	29	1	Bushing 1/4 in. NPT (f) x 1/2 in. NPT (m)

²⁾ Available from local petroleum equipment service distributor
³⁾ Quantities vary with installation

Typical installation – bill of materials, air supply lines

Model	Code	Required	Description
4)	30	5)	Low-pressure copper tubing 3/8 in. OD or 1/2 in. OD
4)	30	5)	1/2 in. schedule 40 galvanized steel pipe
4)	31	1	Union
4)	32	1	Tee
4)	33	2	Connector 1/2 in. NPT (m)
66084	3	1	Medium-pressure quarter-turn shut-off valve 1/2 in. NPT (f)
360108	35	5)	Tube clip for 1/2 in. OD tubing, 7/32 in. diameter hole
11197	11a	2	Steel hex nipple 1/2 in. NPT (m)
4)	37	5)	Pipe clamp for 1/2 in. pipe
4)	38	5)	1/2 in. schedule 40 ASTM A53 butt-welded pipe and malleable fittings
72060	39		5 ft. (1,524 m) low-pressure connecting hose

⁴⁾ Available from local petroleum equipment service distributor
⁵⁾ Quantities vary with installation



Typical fast lube system – bill of materials, lubrication console

Model	Code	Required	Description
*	1	1	Lubrication console
967	2	2	Oil electronic digital meter
967	3	1	ATF electronic digital meter
846	4	2	1/4 in. (f) water bibbcock
80423	5	1	Tire inflator with gauge
85515	6	3	Adjustable
66084	3	1	Medium-pressure quarter-turn shut-off valve 1/2 in. NPT (f)
73240	8	3	1/2 in. x 20 ft. (6,1 m) hose assembly (HO and ATF)
72240	9	2	1/4 in. x 20 ft. (6,1 m) hose assembly (WW and AF)
72240	10	1	1/4 in. x 20 ft. (6,1 m) air hose assembly

* Available from local petroleum equipment service distributor

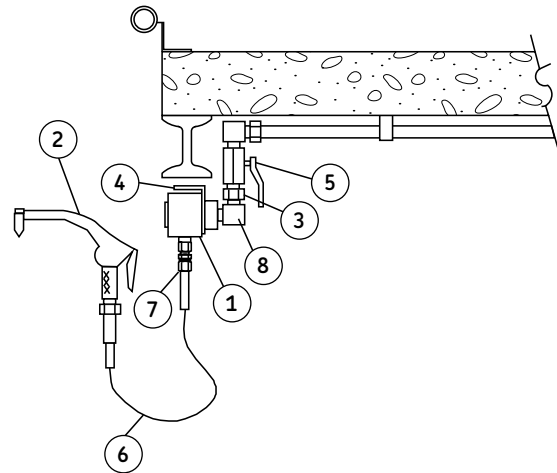
Typical fast lube system – bill of materials, rolling drain pan

Model	Code	Required	Description
84700	1	2	Rolling drain pan
241409	3	2	1 in. (25,4 mm) fluid nipple
241408	4	2	1 in. (25,4 mm) fluid coupler

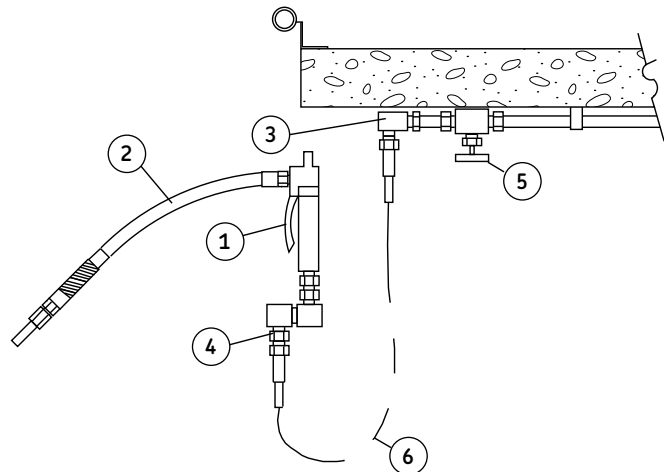
Typical fast lube system – bill of materials, gear oil control valve

Model	Code	Required	Description
870	1	1	Pint oil meter
780	8	1	Gear oil
11197	11a	2	Steel hex nipple 1/2 in. NPT (m)
66084	3	1	Medium-pressure quarter-turn shut-off valve 1/2 in. NPT (f)
73120	6	1	Gear oil hose 1/2 in. x 10 ft. (3 m) gear oil hose
90464	7	1	Swivel assembly
67074	8	1	Street ell 1/2 in. NPT

Gear oil control valve



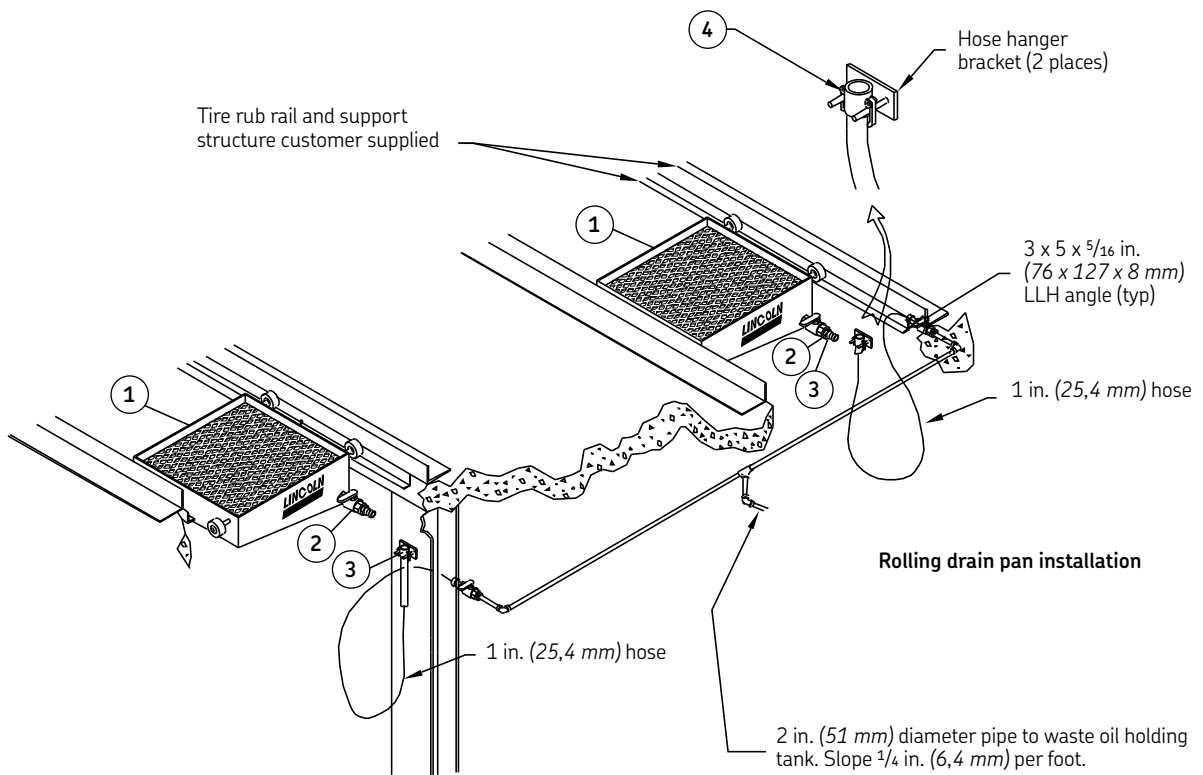
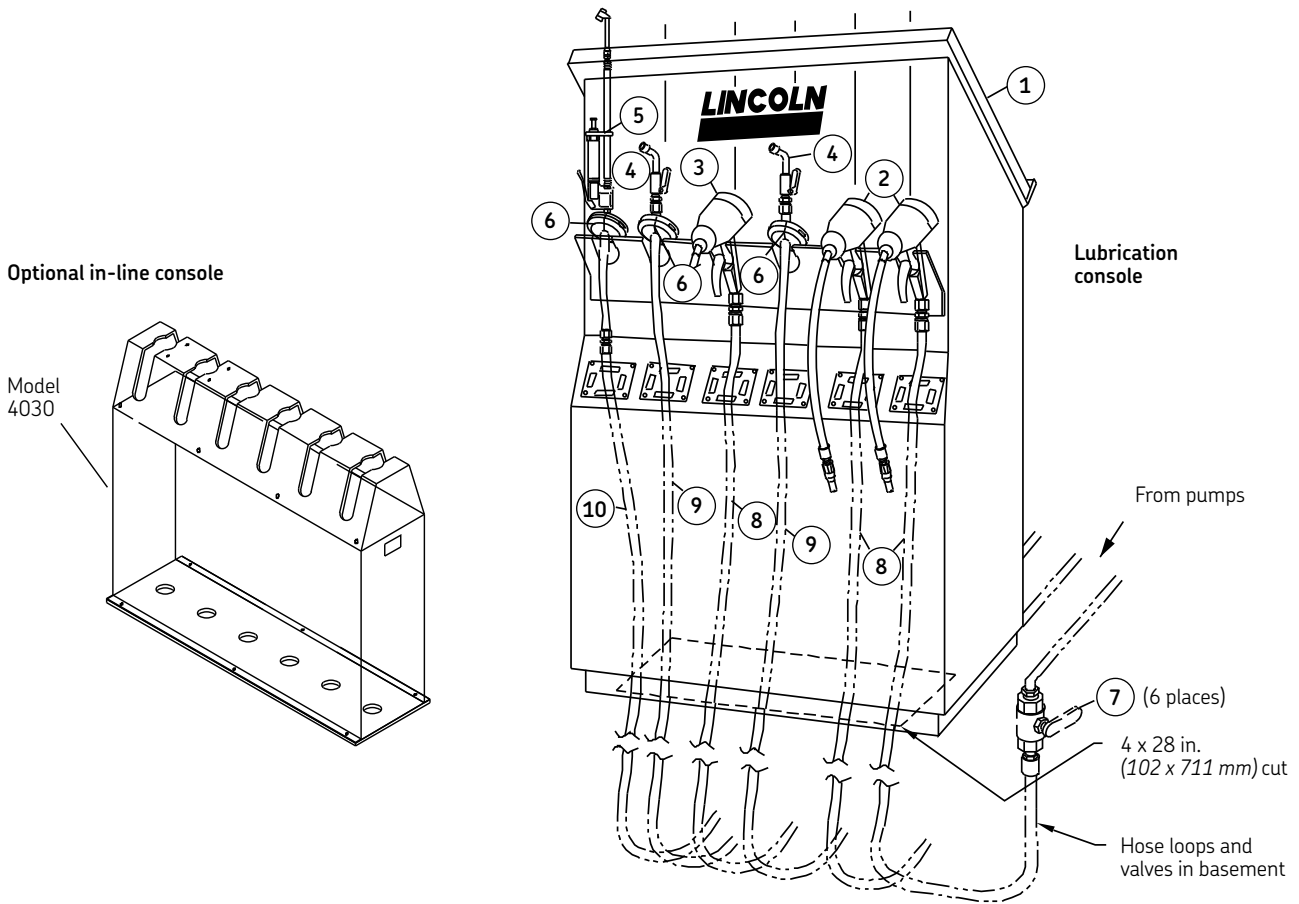
Chassis control valve



Typical fast lube system – bill of materials, chassis control valve

Model	Code	Required	Description
740	6	*	High-pressure control valve 1/4 in. NPT (f)
5861	2	1	36 ft. (11 m) whip hose
81974	3	1	90° angle
778	5	1	High-pressure
75120	6	1	10 ft. (3 m) chassis grease hose

* Available from local petroleum equipment service distributor



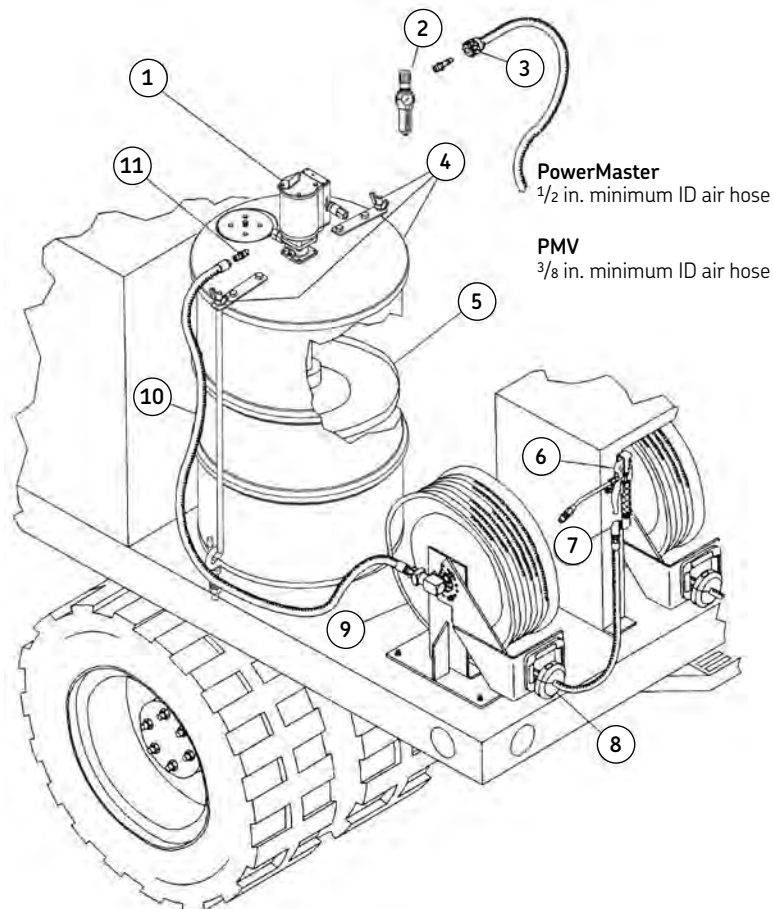
Lube truck grease application – bill of materials

Model	Code	Required	Description
1904	1a	1	75:1 PowerMaster II pump
2004	1b	1	75:1 PowerMaster III pump
85388-12	2a	1	Air regulator 3/4 in. NPT (m)
652008	3	1	Air socket (f) for 1/2 in. ID hose
81482	4a	1	400 lb. (181 kg) drum cover with pump mounting flange and tie rod assemblies for PowerMaster II
84318	4b	1	400 lb. (181 kg) drum cover with tie downs for PowerMaster III
84963	4b	1	Flange mount kit for PowerMaster III
83369	5a	1	Follower plate
740	6	*	High-pressure control valve 1/4 in. NPT (f)
85516	8	*	Adjustable ball stop
85051	9	1	Complete reel assembly with 50 ft. (15,24 m) 1/4 in. hose
76120B	10	1	High-pressure hose 3/8 in. NPT (f)
11197	11a	2	Steel hex nipple 1/2 in. NPT (m)

* Included in model 85051 reel assembly.

Lube truck grease application – bill of materials, PMV

Model	Code	Required	Description
V450400LT	1c, 4c, 3c		PMV 50:1 pump, drum, tie downs, air, connectors, elbow union
602136	2b	1	Modular airline regulator and filter with gauge 3/8 in. NPT (f) for PMV
85825	5b	1	Follower plate for PMV
10773	11b		3/8 x 1/4 in. adapter for PMV



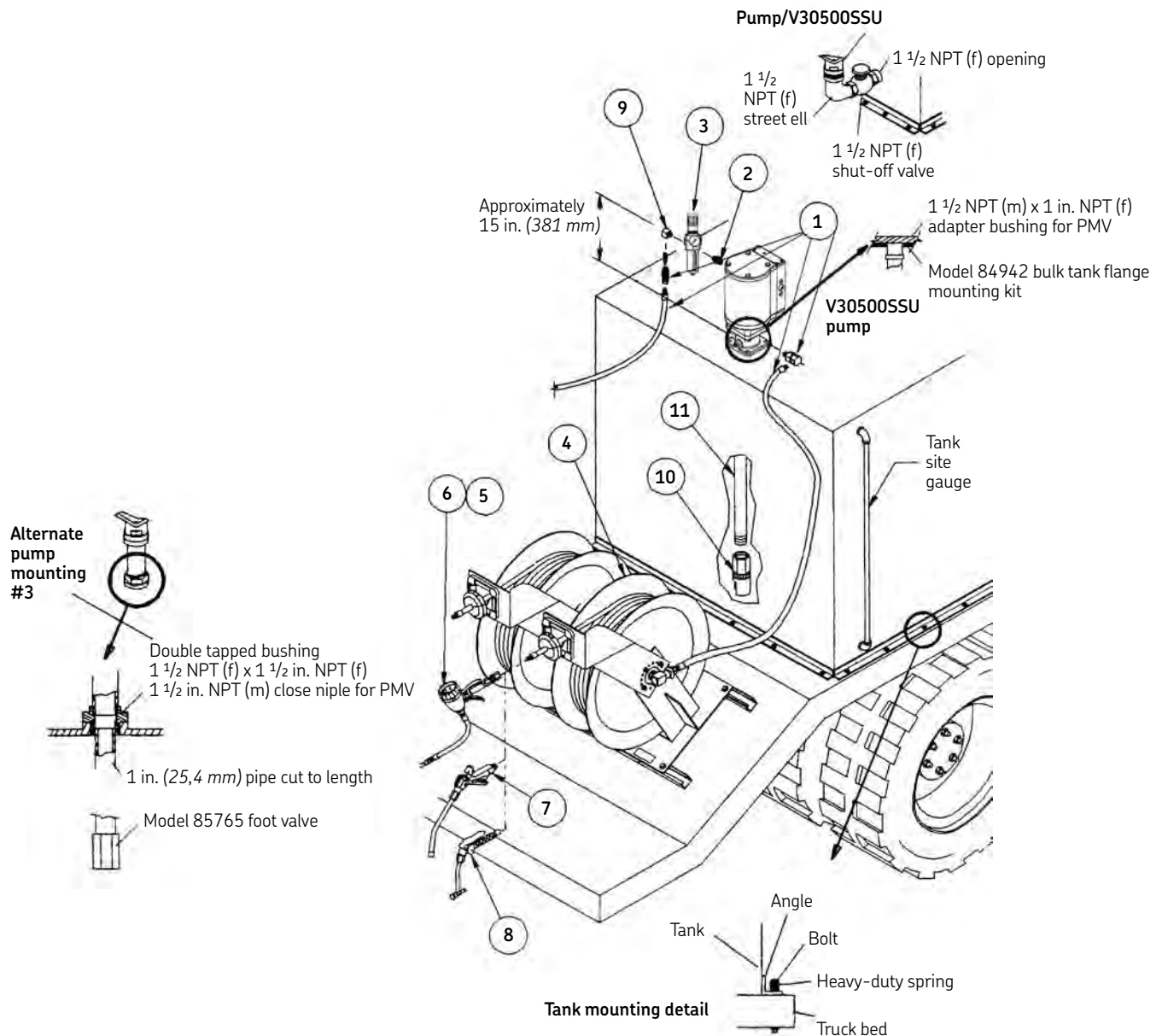
Lube truck oil application – bill of materials

Model	Code	Required	Description
V30500SSU	1	1	5:1 PMV stub pump, air and fluid hose, connectors ²⁾
602136	2b	1	Modular airline regulator and filter with gauge $\frac{3}{8}$ in. NPT (f) for PMV
83463-30	4a	1	Heavy-duty hose reel with 30 ft. (9,1 m) $\frac{1}{2}$ in. hose
83464-50	4b	1	Heavy-duty hose reel with 50 ft. (15,24 m) $\frac{1}{2}$ in. hose
85765	10	1	Foot valve
¹⁾	11	1	1 in. NPT black pipe cut to fit, adapt to $1\frac{1}{2}$ in. NPT (f)
¹⁾	2	1	$\frac{3}{8}$ x $\frac{3}{8}$ in. nipple
67358	9	2	Street ell $\frac{3}{8}$ in.

¹⁾ Available from local petroleum equipment service distributor
²⁾ Longer hoses may be required

Lube truck application – meter control valve options

Model	Code	Required	Description
867	5	1	Gallon totalizing meter
877	5	1	Quart totalizing meter
883	5	1	Quart totalizing meter
899	5	1	Liter totalizing meter
878	5	1	Pint totalizing meter
3867	6	1	Preset quart meter
3868	6	1	Preset gallon meter
3942	6	1	Preset liter meter
775	7	1	Heavy-duty volume
776	7	1	Heavy-duty volume
780	8	1	Gear oil



Standpipe, pump station, basement tanks¹⁾ – bill of materials

Model	Code	Required	Description
V30500SSU	1	1	5:1 PMV stub pump, air and fluid hose, connectors
V41000SSU	2	1	10:1 PMV stub/universal pump with hose and connectors
602136	2b	1	Modular airline regulator and filter with gauge 3/8 in. NPT (f) for PMV
2)	4	3)	5/8 in. OD tube elbow 1/2 in. NPT (f)
2)	5	3)	High pressure tubing 5/8 in. OD x 0.083 wall
82439	6	2	Low-level cutoff
2)	7	2	275 gallon (1 041 liter) oblong-round tank

¹⁾ Underground tanks would be similar

²⁾ Available from local petroleum equipment service distributor

³⁾ Requirements vary per system

