

Grease Application

Bill of Materials

Model	Code	Req'd.	Description
1904	1a	1	75:1 PowerMaster® II Pump
2004	1b	1	75:1 PowerMaster III Pump
85388-12	2a	1	Air Regulator 3/4" NPT(m)
652008	3	1	Air Socket(f) for 1/2" I.D. Hose
81482	4a	1	400 lb. Drum Cover w/ Pump Mounting Flange & Tie Rod Assemblies for PowerMaster® II
84318	4b	1	400 lb. Drum Cover with Tie Downs for PowerMaster III
84963	4b	1	Flange Mount Kit for PowerMaster III
83369	5a	1	Follower Plate
740	6	*	Hi-Pressure Control Valve 1/4" NPT(f)
81387	7	*	Hi-Pressure Universal Swivel, 1/4" NPT(m) x 1/2-27 thread (m)
85516	8	*	Adjustable Ball Stop
85051	9	1	Complete Reel Assembly with 50' 1/4" Hose
76120B	10	1	Hi-Pressure Hose 3/8" NPT(f)
11197	11a	2	Steel Hex Nipple 1/2" NPT(m)

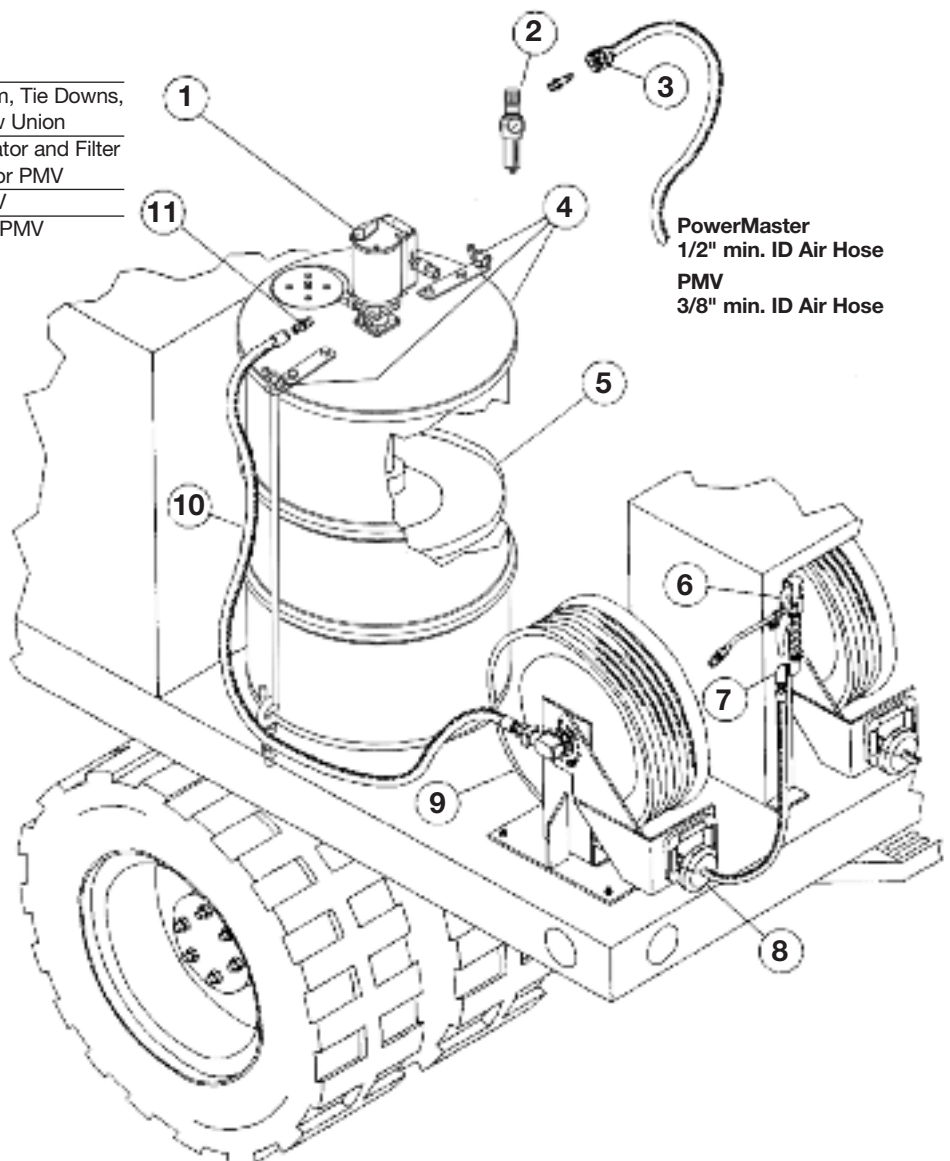
* Included in #85051 reel assembly.

Bill of Materials—PMV

Model	Code	Req'd.	Description
V450400LT	1c 4c, 3c		PMV 50:1 Pump, Drum, Tie Downs, Air, Connectors, Elbow Union
602136	2b		Modular Airline Regulator and Filter w/ Gauge 3/8" NPT(f) for PMV
85825	5b		Follower Plate for PMV
10773	11b		3/8" x 1/4" Adapter for PMV

* Quantities vary with installation.

*** Available from local petroleum equipment service distributor.



Oil Application

Bill of Materials

Model	Code	Req'd.	Description
V30500SSU	1	1	PMV 5:1 Stub Pump, Air & Fluid Hose, Connectors **
602136	3	1	Modular Airline Regulator and Filter w/ Gauge $\frac{3}{8}$ " NPT(f)
83463-30	4a	1	Heavy-Duty Hose Reel with 30' $\frac{1}{2}$ " Hose
83464-50	4b	1	Heavy-Duty Hose Reel with 50' $\frac{1}{2}$ " Hose
85765	10	1	Foot Valve
*	11	1	1" NPT Black Pipe (Cut to Fit) (adapt to $\frac{1}{2}$ " NPT(F))
*	2	1	$\frac{3}{8}$ " x $\frac{3}{8}$ " Nipple
67358	9	2	Street El - $\frac{3}{8}$ "

NOTE: Metric dimensions shown in parenthesis

Meter Control Valve Options

867	5	1	Gallon Totalizing Meter
877	5	1	Quart Totalizing Meter
883	5	1	Quart Totalizing Meter
899	5	1	Liter Totalizing Meter
878	5	1	Pint Totalizing Meter
3867	6	1	Preset Quart Meter
3868	6	1	Preset Gallon Meter
3942	6	1	Preset Liter Meter
775	7	1	Volume Control Valve, Rigid Extension
776	7	1	Volume Control Valve, Flexible Extension
780	8	1	Gear Oil Control Valve

* Available from local petroleum equipment service distributor.

** Longer hoses may be required.

