

Centro-Matic® Automatic Lubrication Systems

FlowMaster® Hydraulic Pump



High-performance FlowMaster hydraulic pumps combine rotary-driven pump motors with reciprocating pump tubes and flexible control features that perform in desert heat and arctic cold. Integrated control manifold adjusts the amount of lubricant and operating pressure. The pump's output is adjustable from 7 to 45 cubic inches per minute.

Supply Inlet

Hydraulic Pressure, Max.:	3000 psig	200 bar
Operating Inlet		
Hydraulic Pressure:	300 to 420 psig	20 to 32 bar
Hydraulic Inlet Flow:	Up to 7 gpm	28 l/min
Pump Ratio with Manifold:	9:1 at low inlet pressure (300 to 350 psi/20 to 25 bar) and low inlet flow (below 2 gpm/7 lpm) pump ratio approaches 11:1 ratio at higher inlet pressure and flow	
Pump Output:	7 - 45 in ³ /min	
Operating Temperature:	-20° to +150°F	-10° to +65°C
Solenoid Valve Coil:	24 VDC	
Hydraulic Inlet Port:	SAE 4	
Tank Return Port:	SAE 6	
Pump Outlets:	1/4" NPTF	
Max. Hydraulic Fluid Temp:	200°F	93°C

Pump Only Models



Model	Capacity			Solenoid Manual Override	Adjustable Flow Control	Adjustable Pressure Control
	Lbs.	gal	L			
85733	120	18	68	No	Yes	Yes
85732	60	8	30			
85734	400	55	208			
85731	35	5	19			
85676	90	10	38	Yes	Fixed	Fixed
85678	60	8	30			

For the complete system, when ordering 120 or 400 lb. refinery drum versions also order the following:

Capacity	Model No.	Description
120 lb.	84616	Drum Cover
	85492	Follower Assembly
	84990	Vent Valve Assembly
400 lb.	271606	Drum Cover
	270982	Follower Assembly
	271605	Vent Valve Assembly

Pump and Bucket Models with Follower Plate and Low-Level Detect

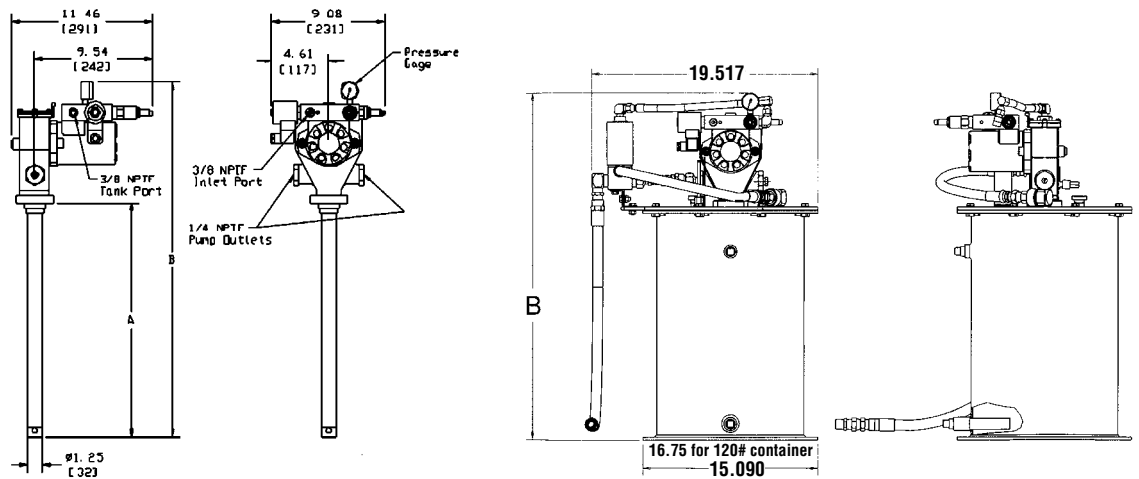
Model	Lbs.	Size gal	L	Solenoid Manual Override	Adjustable Flow Control	Adjustable Pressure Control
85727 *	120	18	68	No	Yes	Yes
85725	90	10	38			
85726 **		10	38	Yes	Fixed	Fixed
85722	60	8	30	No	Yes	Yes

*Includes high-level detect

**Does not include follower plate or low-level detect

Pump and Bucket Dimensions

Container Size	Pump - in. (mm)		Pump Bucket-in. (mm)	
	A	B	A	B
35 lb.	13.69 (348)	24.00 (609.7)	14.59 (371)	24.90 (632.7)
60 lb.	19.00 (483)	29.31 (744.7)	19.90 (505)	30.20 (766.7)
90 lb.	27.50 (699)	37.81 (954.7)	28.40 (721)	40.63 (1,031.7)
120 lb.	27.50 (699)	37.81 (954.7)	28.40 (721)	40.63 (1,031.7)
400 lb.	34.00 (864)	44.31 (1,125.7)	34.00 (864)	45.44 (1,154.7)





It seems too good to be true, but Lincoln's new Electric FlowMaster Pump can serve all but the largest automated lubrication applications. Now you can take advantage of the ease and economy of this efficient, versatile electric pump—no cost for air associated with running the pump and no hydraulic hoses to connect.

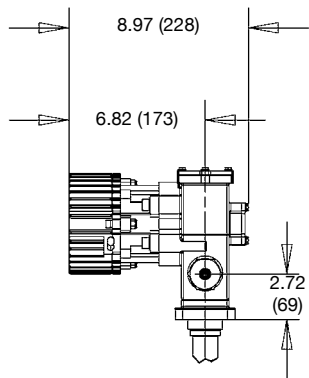
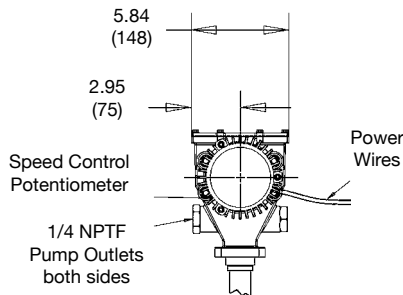
The Electric FlowMaster Pump is a workhorse. Because you can adjust the speed of the pump's motor, you can adjust the pump's output to precisely fit any application. Lincoln offers 12 different models.

For manual lubrication, use the pump with a hose reel and a dispensing valve.

24 and 12 VDC FlowMaster®

Operating Temperature Range:	-40° to +150°F	-40° to +65°C
Pump Outlets:	14" NPTF	
Motor:	24 VDC	1/2" HP Peak
	12 VDC	1/3" HP Peak

Pump Only Models



Model	Capacity			Power	Maximum Pressure Rating	Speed Range RPM
	lbs	gal	L			
85479	35	5	19	24 DC	2500 psi (172 bar)	9.5-100
85748	35	5	19		5000 psi (345 bar)	5-50
85749	120	18	68			9.5-100
85737	60	8	30			
85738	120	18	68			
85747	35	5	19		12 DC	
85739	400	55	208	5000 psi (345 bar)		
85752	35	5	19	2500 psi (172 bar)		
85753	35	5	19	2500 psi (172 bar)		
85754	60	8	30	3500 psi (241 bar)		

Model	Gear Ratio	Current Draw Amps	Output: in ³ /min	
			Min	Max
85479 *	17.8:1	2-5	0.7	6.3
85748	34:1	1-4.2	0.4	3.5
85749	34:1			
85737	19:1	1-6.5	0.7	6.3
85738	19:1			
85747	17.8:1	2-5		
85739	19:1	1-6.5		
85752	19:1	1-7.5		
85753	19:1			
85754	19:1			

* Kit consisting of pump, follower, bucket cover and hardware

Pump and Bucket Models

Model	Capacity			Power	Maximum Pressure Rating	Speed Range RPM
	lbs	gal	L			
85728	60	8	30	24 DC	5000 psi (345 bar)	9.5 - 100
85729	90	10	38			
85730 *	120	18	68			

Model	Gear Ratio	Current Draw Amps	Output: in ³ /min	
			Min	Max
85728	19:1	1 - 6.5	0.7	6.3
85729				
85730				

Above models include follower plate and low-level detect

* Includes high-level detect

Accessories

Description	120 lb.	400 lb.
Follower plate	85492	270982
Drum cover	85474	85475
Vent valve assembly: 24 VDC	85664	85665
Strainer	272180	272180

24 VDC Electric Vent Valve

Model No.	Description
274899	IP 67 Explosion Proof Rating
276325	IP 65 Rating
276903	IP 65 Rating
276919	Hardware Kit for 276903
525-32083-1	IP 54 Rating

For all FlowMaster II pumps replaced on original buckets, vent valve kit 278413 will be needed. This also applies to DC FlowMasters made after 2009.



120/230 VAC FlowMaster®

Now you can save the cost of air and plug in our new 120/230 VAC FlowMaster pump. Convenient and powerful, the 120/230 VAC FlowMaster pump allows you to tap into your AC power source and pump grease from a 120 lb. or 400 lb. drum. Rely on it to drive your automated lubrication systems such as Centro-Matic®, Mod Lube®, Quicklub® and Two-line.

Operating Temperature Range:	-40° to +150°F (-40° to +65°C)
Operating Voltage:	120/230 VAC (50/60 Hz single phase)
Pump Outlets:	¼" NPTF
Motor:	½" HP

Pump Only Models

Model	Capacity			Power	Maximum Pressure Rating	Speed RPM
	lbs	gal	L			
85744	400	55	208	120-230 AC	5000 psi (345 bar)	95
85743	120	18	68			

Model	Gear Ratio	Current Draw: Amps		Output: in ³ /min Max
		@120 V	@230 V	
85744	19:1	1-4.6	.5-2.4	6.3
85743				

Accessories

Description	120 lb.	400 lb.
Follower plate	85492	270982
Drum cover	85474	85475
Vent valve assembly: 120 VAC	85662	85663
230 VAC	85660	85661
Strainer	272180	272180

Reel-N-Flow Pump and Reel Kits



Operating Temperature	-20° to +140°F (-29° to +60°C)
Operating Voltage:	24 VDC (18 min., 30 max.)
Motor	⅓ HP (0.25 kw)
Max. Current Draw	15 AMPS
Max. Output	18.0 in ³ /min (295 cm ³ /min)
Max. Output Pressure	6,000 psi (413.8 bar)
Pump Weight	35 lbs. kg (15.9)
Hose Reel Capacity	¾" High Pressure Hose, 50 ft. (15 m)

Mounts on 35#/5-gallon refinery container

Pump Models

Model	Description
274873	24V, Bare, high-pressure pump
274874	24V, Bare pump with integrated pressure switch and manifold
276041	12V, Bare high-pressure pump
276360	12V, Bare pump with integrated pressure switch and manifold

Kit Models Note: FlowMaster kit models will NOT be discontinued

Model	Description	Bare Pump	Lid	Follower	Reel	Connecting Hose	Control Vlv. & Swivel
274886	85751 pump, lid and follower	85751	274878	274888			
274887	274886 with hose reel, 50' hose, control valve, swivel & 7' connecting hose	85751	274878	274888	94553H	276366	3050, 81729
276358	85753 pump, lid and follower	85753	274878	274888			
276359	276358 with hose reel, 50' hose, control valve, swivel & 7' connecting hose	85753	275878	274888	94553H	276366	3050, 81729

Accessories

Model	Description
274872	10,000 psi Gauge
274934	35#/5-gal. Container Mount



**220 - 460 VAC, 50 Hz / 60 Hz 3 Phase
 AC FlowMaster Pump**

The high-performance FlowMaster product line is a new generation of pump technology. Compact and versatile, its unique rotary drive and modular gear set let you adjust the pump to exactly fit your application.

- Wires directly to existing AC service
 - Reduces installation costs – no need to tap into hydraulic circuits or pipe in compressed air
 - Integrates easily to many styles of lubrication systems
-
- Heavy industry
 - Mining
 - Steel
 - Paper
 - General Industry
 - Food/beverage
 - Automotive
 - Packaging
 - And others

Pump Model:	85745	85746
Pump/Container Size:	120 lb.	400 lb.
Pump Output:	6.3 in ³ /min. (103 cm ³ /min.)	
Operating Temperature:	-40° to 150°F (-40° to 65°C)	
Motor Max. Temperature:	Up to 220°F (105°C)	
Operating Voltage:	3 Phase / 220 - 420 @ 50 Hz / 230 - 460 @ 60 Hz	
Motor Power:	½ Hp	
Pump Outlet:	¼" NPTF	

Accessories

Description	120 lb.	400 lb.
Follower plate	85492	270982
Drum cover	85474	85475
Vent valve assembly	85660	85661
Strainer	272180	272180