

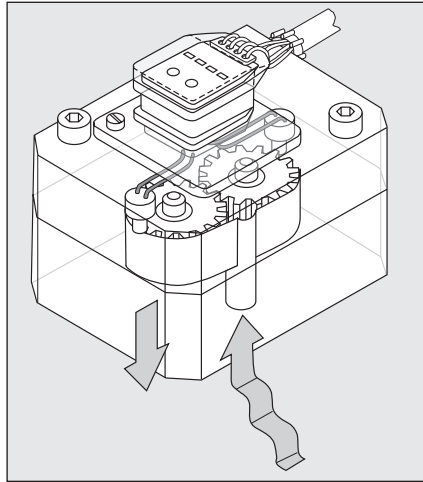
Consumption measurement

Ink consumption measurement enables the ink consumption for each press to be recorded and displayed separately. Therefore the exact quantities of ink for each job are available and can be allocated directly to the individual jobs for calculation or costing purposes.

That means total cost accountability for each print job. Consumption recording is done via measuring heads integrated into the tubing at the press. A separate flowmeter is installed for each colour.

The consumption is displayed on the control screen. Optionally, this can be integrated into the press control desk in combination with an additional line. With certain prerequisites, it is also possible to connect it to an in-house network.

In cases where the press is supplied with two different types of ink, the signals of the measuring heads are recorded and displayed separately.



8.1 Sheet-fed presses and commercial presses

| Model | Type | Description | Part number |
|-------|---------------|---|-------------|
| LIV1 | Max. 65 l/min | Consumption measurement, consisting of: | |
| | | Flowmeter VCA2F3PS +VC2 G1 | 234-10267-6 |
| | | Fitting ST GE42-L RED G1-1/4AA3C | 223-13610-9 |
| | | Fitting ST RHZ 28-L G1 AA3C | 223-13706-4 |
| | | Terminal box E634 | 664-29348-1 |
| | | Pipe, covered 7x1.0 MM2 | 113-35344-2 |

8.2 Commercial presses and newspaper presses

| Model | Type | Description | Part number |
|-------|---------------|---|-------------|
| LIV2 | Max. 80 l/min | Consumption measurement, consisting of: | |
| | | Flowmeter VC5F3PS +VC5 G1-1/4 | 234-13118-7 |
| | | Fitting ST GE42-L G1-1/4AA3C | 223-10263-4 |
| | | Fitting ST GE42 G1-1/2AC | 223-13749-2 |
| | | Fitting ST RHZ 42-L G1-1/2AA3C | 223-13706-5 |
| | | Couplings ST RI G1-1/2AXG1-1/4C | 222-13670-2 |
| | | Terminal box E634 | 664-29348-1 |
| | | Pipe, covered 4x0.5 MM2 | 113-35344-1 |