

# Value series hose reels for air and water

## Models 83753 and 83754, series B

Lincoln's new and improved value series hose reels were developed for light-duty, spring-driven hose reel applications. Designed for stationary indoor and outdoor use, these reels can be attached to most surfaces that can be drilled.

### Key features:

- Heavy-duty construction
  - Base and guide arm made of heavy-gauge steel stampings with reinforcing ribs
- Corrosion resistant
  - Individually powder-coated steel components
- Easy mounting
  - Base slots to facilitate mounting and adjustment
- Power spring
  - Retraction spring with substantial output torque and long service life
- Ratchet
  - Eight-position ratchet locks reel at desired hose length
- Guide arm
  - Adjustable to five convenient positions
- Roller
  - 3 in. (76.2 mm), one piece solid roller
- Swivel
  - Proven design provides long service life
- Hose
  - High-quality hose
- Latch spring
  - Field-proven, stainless steel construction



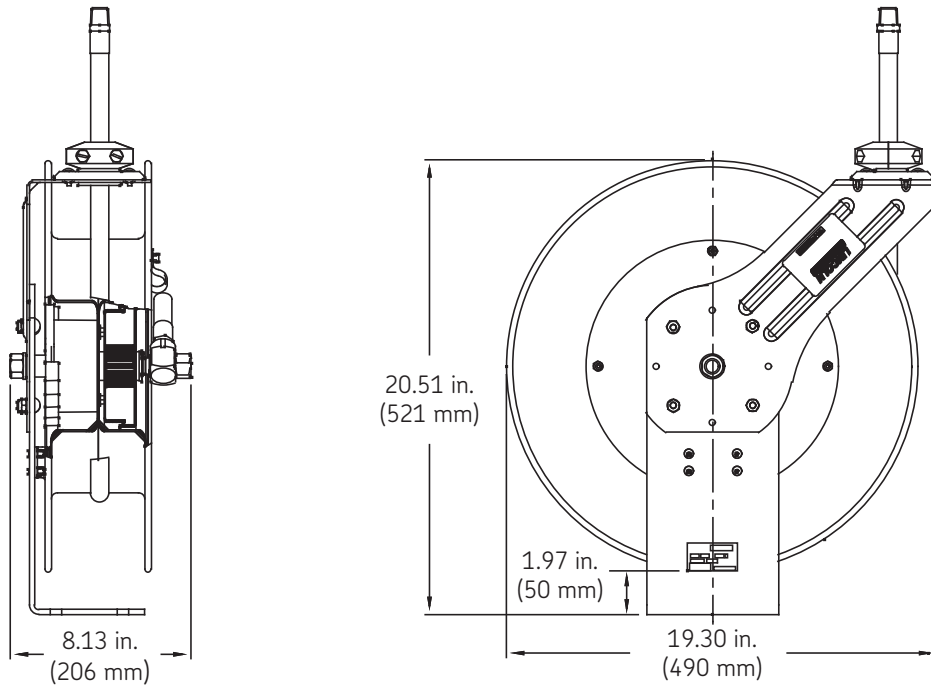
### Value series hose reel models, series B

Model	83753	83754
Delivery hose specification	3/8 in. x 50 ft. (15 m)	1/2 in. x 50 ft. (15 m)
Maximum pressure	300 psi (21 bar)	300 psi (21 bar)
Maximum operating temperature	150 °F (60 °C)	150 °F (60 °C)
Delivery hose outlet	1/4 in. NPTF (m)	1/2 in. NPTF (m)
Connecting hose inlet	1/4 in. NPTF (m)	1/2 in. NPTF (m)
Shipping weight	38.4 lb. (17,4 kg)	41.0 lb. (18,6 kg)

<sup>1)</sup> Models include bare hose reel, 50 ft. (15 m) delivery hose and ball stop

# Value series hose reels for air and water

## Dimensions



Please contact:  
**SKF USA, Inc.**  
One Lincoln Way  
St. Louis, MO 63120 USA  
Tel. +1 (314) 679-4200

This brochure was presented by:

© SKF is a registered trademark of the SKF Group.

© Lincoln is a registered trademark of Lincoln Industrial Corp.

© SKF Group 2014

The contents of this publication are the copyright of the publisher and may not be reproduced (even extracts) unless prior written permission is granted. Every care has been taken to ensure the accuracy of the information contained in this publication but no liability can be accepted for any loss or damage whether direct, indirect or consequential arising out of the use of the information contained herein.

PUB LS/P2 14769 EN · June 2014 · Form 444598

