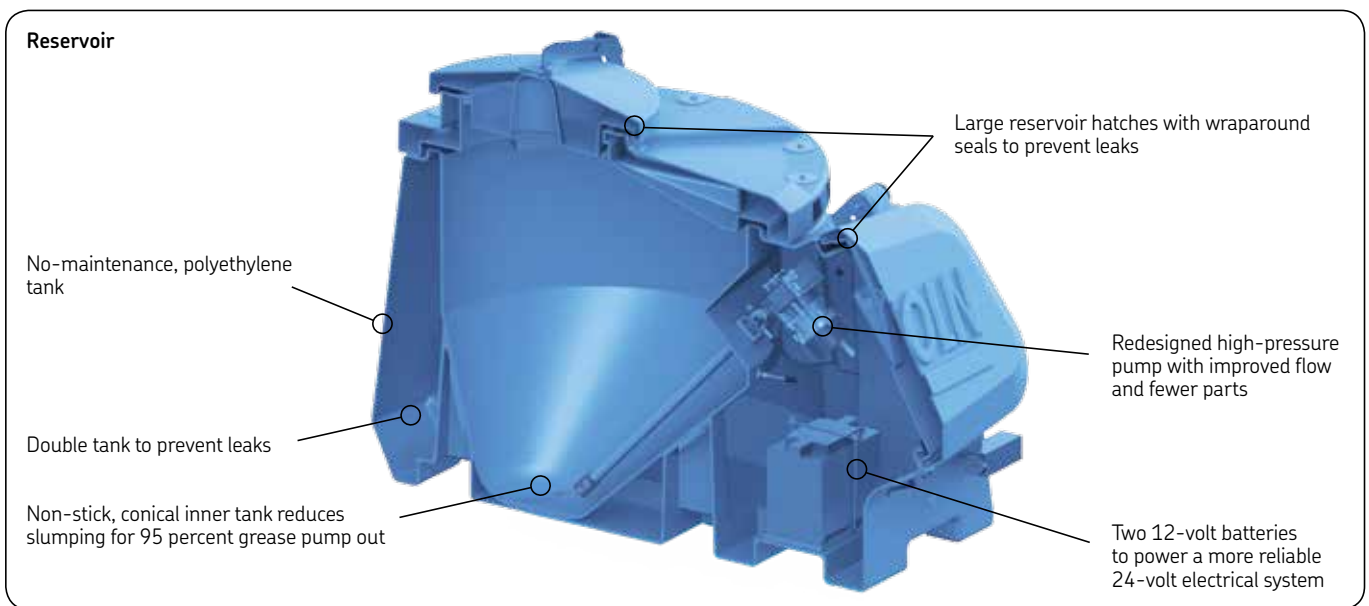


# Freight line lubricators

For simple, reliable reduction of track wear



Developed specifically to meet the needs of Class 1 railroad applications, Lincoln freight line lubricators are efficient, robust and easy to maintain. Each system represents more than 200 years of combined SKF and Lincoln friction management experience in a broad range of demanding environments.

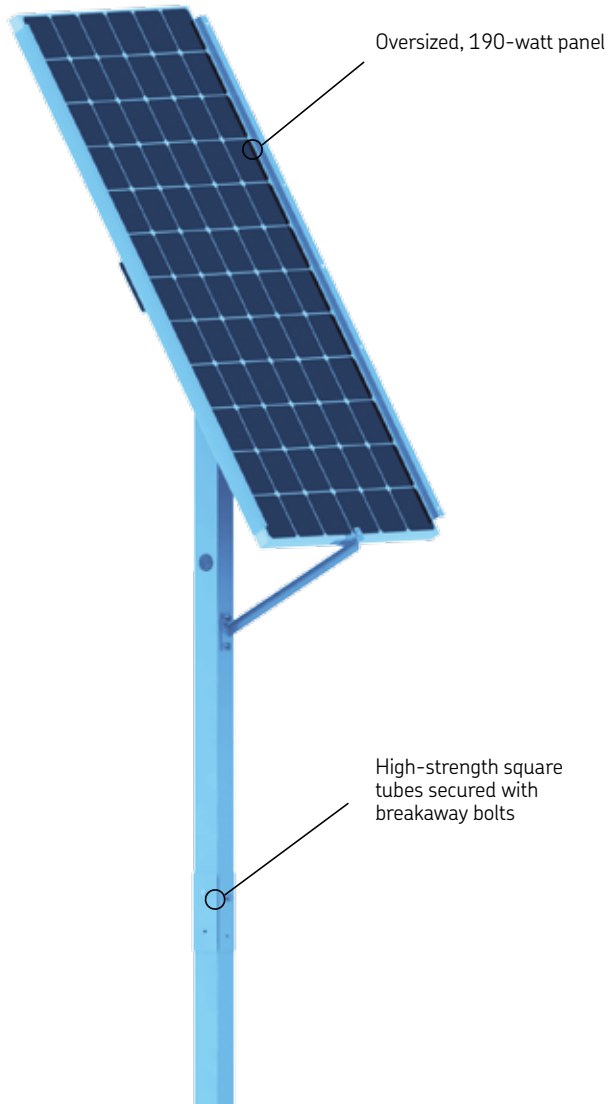
**Freight line lubricator advantages:**

- Rust-proof and leak-proof polyethylene reservoir with unique, dual-tank design to reduce the risk of trackside spills
- Proven, high-pressure applicator bars provide precise and even distribution of a wide range of materials

- Equipped with oversized, 190-watt solar panel mounted on square tubing with breakaway bolts for security; panel is easy to install and provides power even in low-light conditions
- Bar and wheel sensor clamps feature slotted shim design for simple adjustment
- “Brick” magnetic wheel sensor has quick disconnect and armored cable for added protection

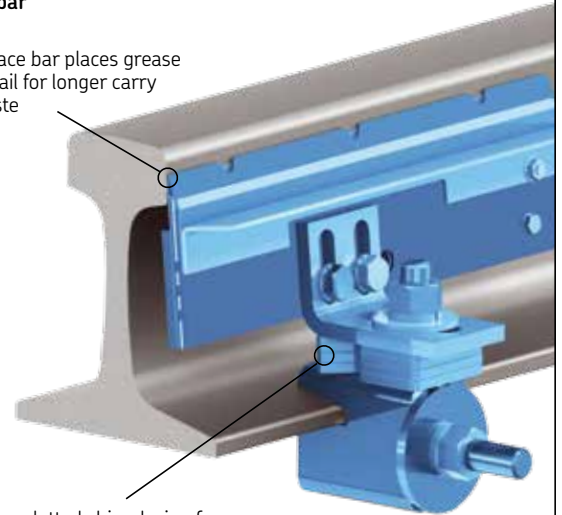
## Freight line lubricators for simple, reliable reduction of track wear

### Solar panel kit



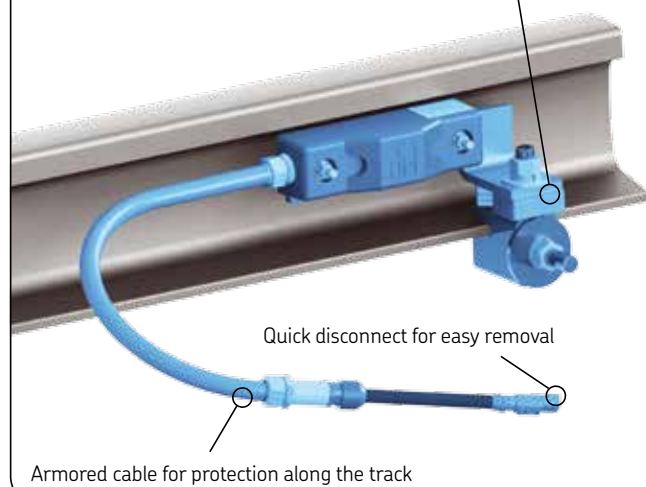
### Gauge face bar

Thin gauge face bar places grease high on the rail for longer carry with less waste



### Wheel sensor

Improved mount with a single shim clamp



Please contact:

**SKF USA, Inc.**

5148 N. Hanley Road  
St. Louis, MO 63134 USA  
Tel. +1 (314) 679-4200

© SKF is a registered trademark of the SKF Group.

© Lincoln is a registered trademark of Lincoln Industrial Corp.

© SKF Group 2016

The contents of this publication are the copyright of the publisher and may not be reproduced (even extracts) unless prior written permission is granted. Every care has been taken to ensure the accuracy of the information contained in this publication but no liability can be accepted for any loss or damage whether direct, indirect or consequential arising out of the use of the information contained herein.

PUB LS/P2 16384 EN · January 2016

**LINCOLN**

lincolnlubesrail.com

skf.com

**SKF**