

LINCOLN

Value series hose reels for grease and oil

Ideal for maintenance shops, vehicle service facilities
and farm and ranch applications



Additional colors

Reels are available in red, black, blue
and yellow



You can depend on Lincoln products to provide value, convenience and versatility. Using a value series hose reel keeps hoses organized, extends hose life, saves time and improves safety and efficiency. Available with or without a hose, these reels have a long swivel life and can be attached to most surfaces that can be drilled.

The value series is an economical choice for medium-duty, lighter-weight, spring-driven hose reel applications that are less demanding, yet require a product that can withstand commercial use. The industrial-grade drive spring is protected from the environment by a glass-filled composite spool and case for longer service life, and the guide arm adjusts to seven positions.

SKF

Value series hose reels for grease and oil

83470 and 83471 series hose reels

Quality hose

An industrial-grade hose specially developed for reel use is available

Long-lasting latch spring

A stainless steel latch spring provides maximum performance

Corrosion resistance

Individually powder-coated steel components are combined with composite materials to resist corrosion

Durable swivel

Field-proven swivel provides long service life

Reliability

The latch mechanism is mounted on the arm for consistent extension and retraction

Easy maintenance

The glass-filled composite spool and spring case contains the industrial grade drive-spring. The spring is protected from the environment for longer life

Versatile

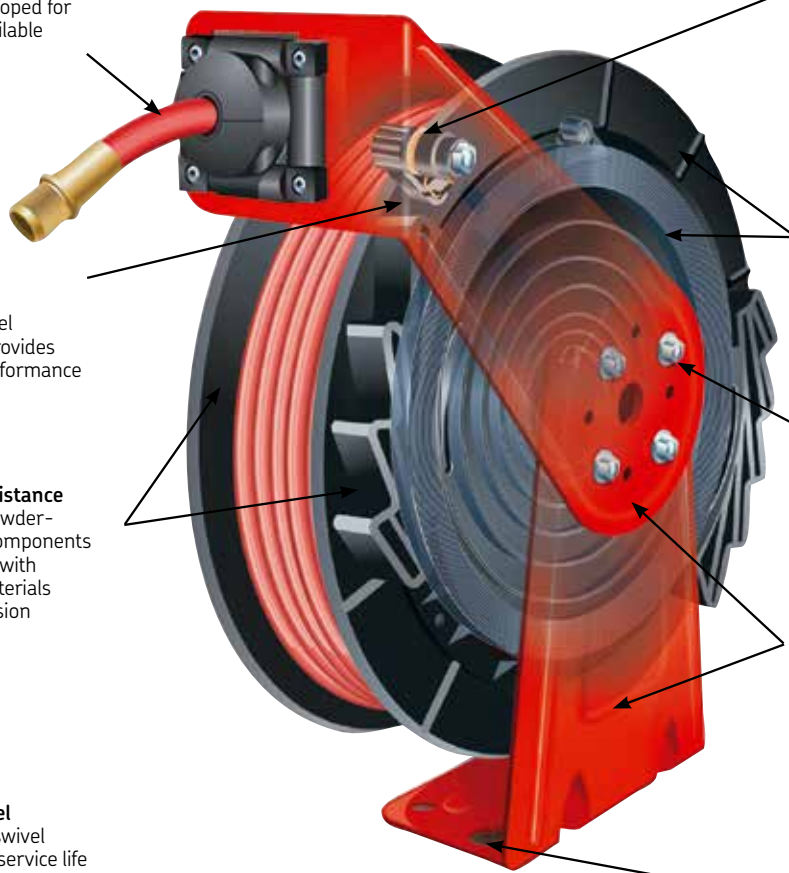
The guide arm can be adjusted to seven convenient positions

Structural strength

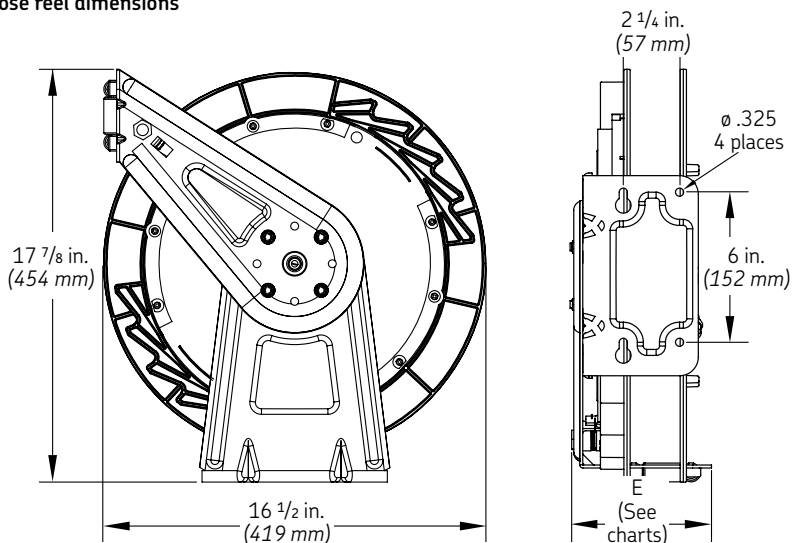
The base and guide arm are made of heavy-gauge steel stampings with reinforced ribs to increase structural strength. Main shaft is 1 in. (25.4 mm) outside diameter (OD), cold-rolled steel

Easy to mount

The base features two slotted holes for simple mounting and adjustment



Hose reel dimensions



CAUTION

For all systems described in this brochure, see important product usage information on the back cover.

Medium-pressure oil reels

Maximum temperature 150 °F (65 °C)

Reel assembly ¹⁾	Color	Hose ID		Hose OD		Hose length		Pressure		Hose outlet NPTF (m)	Reel inlet NPTF (f)	Shipping weight		Dimension E	
		in.	mm	in.	mm	ft.	m	psi	bar	in.	in.	lb.	kg	in.	mm
83470	Red	1/2	13	0.820	21	35	11	1 000	69	1/2	1/2	32	15	6 1/4	159
83470-BK ²⁾	Black	1/2	13	0.820	21	35	11	1 000	69	1/2	1/2	32	15	6 1/4	159
83470-RB ²⁾	Blue	1/2	13	0.820	21	35	11	1 000	69	1/2	1/2	32	15	6 1/4	159
83470-YL ²⁾	Yellow	1/2	13	0.820	21	35	11	1 000	69	1/2	1/2	32	15	6 1/4	159

¹⁾ Delivery hose assembly and hose ball stop included; connecting hose is sold separately

²⁾ Minimum two week lead time after order confirmation

Bare reels¹⁾ for medium-pressure oil

Maximum temperature 150 °F (65 °C)

Bare reel	81470 (red) 81470-BK (black) 81470-RB (blue) 81470-YL (yellow)
Pressure	1 000 psi (69 bar)
Shipping weight	23 lb. (10 kg)

¹⁾ Delivery hose assembly and hose ball stop not included

Medium-pressure oil reel accessories



Swing bracket
Model 278941
(Red only)



Delivery hose
assembly
Model 278942



Connecting hose
assembly, 2 ft. (0,6 m)
Model 278944



Hose ball stop
Model 278664

High-pressure grease reels

Maximum temperature 150 °F (65 °C)

Reel assembly ¹⁾	Color	Hose ID		Hose OD		Hose length		Pressure		Hose outlet NPTF (m)	Reel inlet NPTF (f)	Shipping weight		Dimension E	
		in.	mm	in.	mm	ft.	m	psi	bar	in.	in.	lb.	kg	in.	mm
83471	Red	1/4	6	0.580	15	35	11	5 000	345	1/4	3/8	30	14	5 3/4	146
83471-BK ²⁾	Black	1/4	6	0.580	15	35	11	5 000	345	1/4	3/8	30	14	5 3/4	146
83471-RB ²⁾	Blue	1/4	6	0.580	15	35	11	5 000	345	1/4	3/8	30	14	5 3/4	146
83471-YL ²⁾	Yellow	1/4	6	0.580	15	35	11	5 000	345	1/4	3/8	30	14	5 3/4	146

¹⁾ Delivery hose assembly and hose ball stop included; connecting hose is sold separately

²⁾ Minimum two week lead time after order confirmation

Bare reels¹⁾ for high-pressure grease

Maximum temperature 150 °F (65 °C)

Bare reel	81471 (red) 81471-BK (black) 81471-RB (blue) 81471-YL (yellow)
Pressure	5 000 psi (345 bar)
Shipping weight	22 lb. (10 kg)

¹⁾ Delivery hose assembly and hose ball stop not included

High-pressure grease reel accessories



Swing bracket
Model 278941
(Red only)



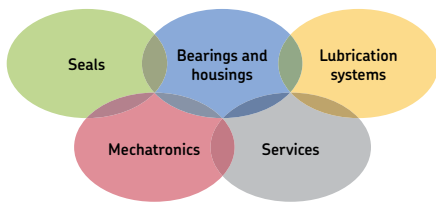
Delivery hose
assembly
Model 278943



Connecting hose
assembly, 2 ft. (0,6 m)
Model 278945



Hose ball stop
Model 278934



The Power of Knowledge Engineering

Combining products, people, and application-specific knowledge, SKF delivers innovative solutions to equipment manufacturers and production facilities in every major industry worldwide. Having expertise in multiple competence areas supports SKF Life Cycle Management, a proven approach to improving equipment reliability, optimizing operational and energy efficiency and reducing total cost of ownership.

These competence areas include bearings and units, seals, lubrication systems, mechatronics, and a wide range of services, from 3-D computer modelling to cloud-based condition monitoring and asset management services.

SKF's global footprint provides SKF customers with uniform quality standards and worldwide product availability. Our local presence provides direct access to the experience, knowledge and ingenuity of SKF people.

! Important information on product usage

All products from Lincoln may be used only for their intended purpose as described in this brochure and in any instructions. If operating instructions are supplied with the products, they must be read and followed.

Not all lubricants are suitable for use in centralized lubrication systems. Lincoln does offer an inspection service to test customer supplied lubricant to determine if it can be used in a centralized system. Lincoln lubrication systems or their components are not approved for use with gases, liquefied gases, pressurized gases in solution and fluids with a vapor pressure exceeding normal atmospheric pressure (1 013 mbar) by more than 0,5 bar at their maximum permissible temperature.

Hazardous materials of any kind, especially the materials classified as hazardous by European Community Directive EC 67/548/EEC, Article 2, Par. 2, may not be used to fill SKF centralized lubrication systems and components and delivered and/or distributed with the same.

Please contact:
SKF USA, Inc.
 One Lincoln Way
 St. Louis, MO 63120 USA
 Tel. +1 (314) 679-4200

This brochure was presented by:

© SKF is a registered trademark of the SKF Group.

© Lincoln is a registered trademark of Lincoln Industrial Corp.

© SKF Group 2014

The contents of this publication are the copyright of the publisher and may not be reproduced (even extracts) unless prior written permission is granted. Every care has been taken to ensure the accuracy of the information contained in this publication but no liability can be accepted for any loss or damage whether direct, indirect or consequential arising out of the use of the information contained herein.

PUB LS/P2 14461 EN · April 2014 · Form 444591

