



TECHNICAL SERVICE BULLETIN

Bulletin Number: DC-2206

Date: 11/28/2006

Affected Model(s): 83753 (3/8") and 83754 (1/2") Value Series Air Reels

Subject: Replacement Hose and Inlet Swivel Offering

By popular demand we are happy to announce that we will now offer replacement hoses and inlet swivels for the affected models. It was brought to attention that many complete reels have been replaced in recent months just to get users a hose or swivel, even though they may have burst the hose or broken the swivel accidentally during installation.

We have added the part numbers for each to the service page/owner's manual, Page E35-Section 71A, form 402141 (copy attached).

Here are the new offerings. They will be available in early January, 2007.

Model 83753

50 ft. 3/8" hose-275172

1/4" Swivel-275174

Model 83754

50 ft. 1/2" hose-275173

1/2" Swivel-275175

As always, if you have questions or concerns please do not hesitate to call Lincoln Technical Services at 314/679-4200, ext. 4782, or fax us at 314/679-HELP (4357).

Regards,

Barry Frankum
Manager, Technical Service



MODEL 83753 3/8" AIR HOSE REEL MODEL 83754 1/2" AIR HOSE REEL

Specifications

- Spring driven, automatic rewind, with locking ratchet mechanism (eight locking positions per revolution).
- Brass connectors on hose and reel

Model 83753

- 50 Feet of 3/8" Hose
 - 275172 Hose ©
- Incoming Air Connection: 1/4" NPT
 - 275174 Swivel ©
- Hose Connections: Male 1/4" NPT
- Maximum Pressure: 300 PSI
- Maximum Air Flow: 25 CFM

Model 83754

- 50 Feet of 1/2" Hose
 - 275173 Hose ©
- Incoming Air Connection: 1/2" NPT
 - 275175 Swivel ©
- Hose Connections: Male 1/2" NPT
- Maximum Pressure: 300 PSI
- Maximum Air Flow: 35 CFM

Read and understand entire manual before assembling or using hose reel. Failure to follow instructions or warnings could result in personal injury and/or property damage.

! IMPORTANT

Safety Rules

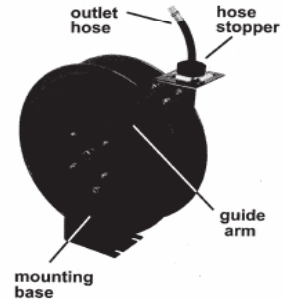
- DO NOT EXCEED 300 PSI incoming air pressure (from compressor).
 - Wear impact-resistant eye protection that meets ANSI Spec. Z87.1 in work area at all times.
- Do not release hose when rewinding. Hold hose end and allow hose to rewind slowly.
Never allow children to use hose reel. Keep children clear of work area at all times.

Installing Hose Reel

Note: Mounting hardware is not included and must be purchased separately. Decide first where reel will be mounted before purchasing hardware. Different mounting positions require different types of hardware.

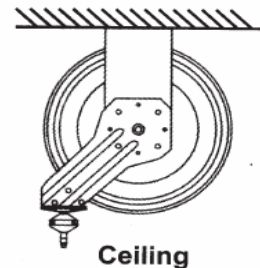
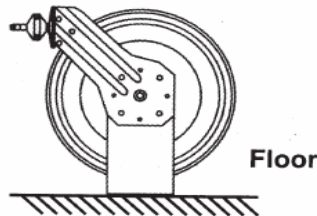
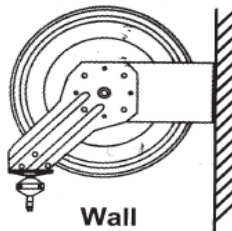
Reel can be mounted on the floor, ceiling, or wall, wherever it is convenient. When choosing a location, remember that you can only mount reel to a load-bearing structural member capable of supporting combined weight of reel, hose, and forces caused by pulling or maneuvering hose. Generally, mounting reel near air compressor is best since you can connect the two with a shorter, less expensive length of hose. Also, air compressor controls will be nearby for convenient adjusting.

Once you have located a mounting spot, consult the "Typical Mounting Positions" chart below and choose the diagram that most closely matches your mounting position. If necessary, adjust guide arm position to match diagram.



NOTE: There are no parts available for these hose reels.

Typical Mounting Positions

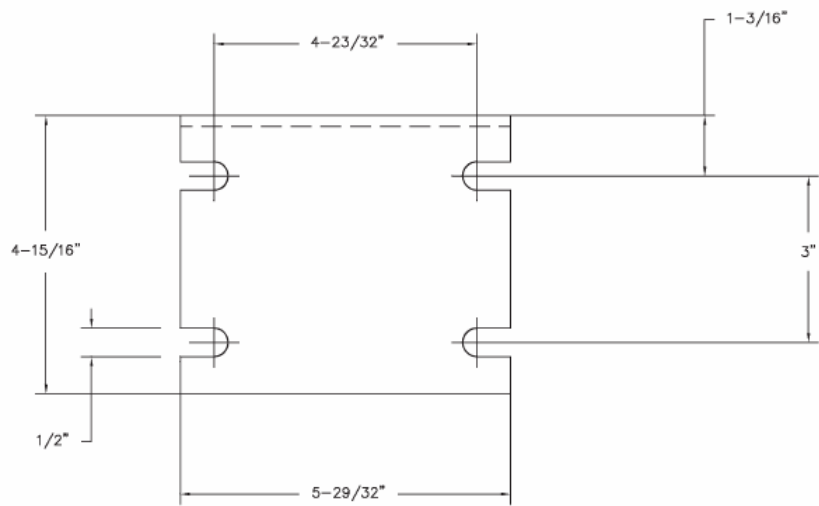
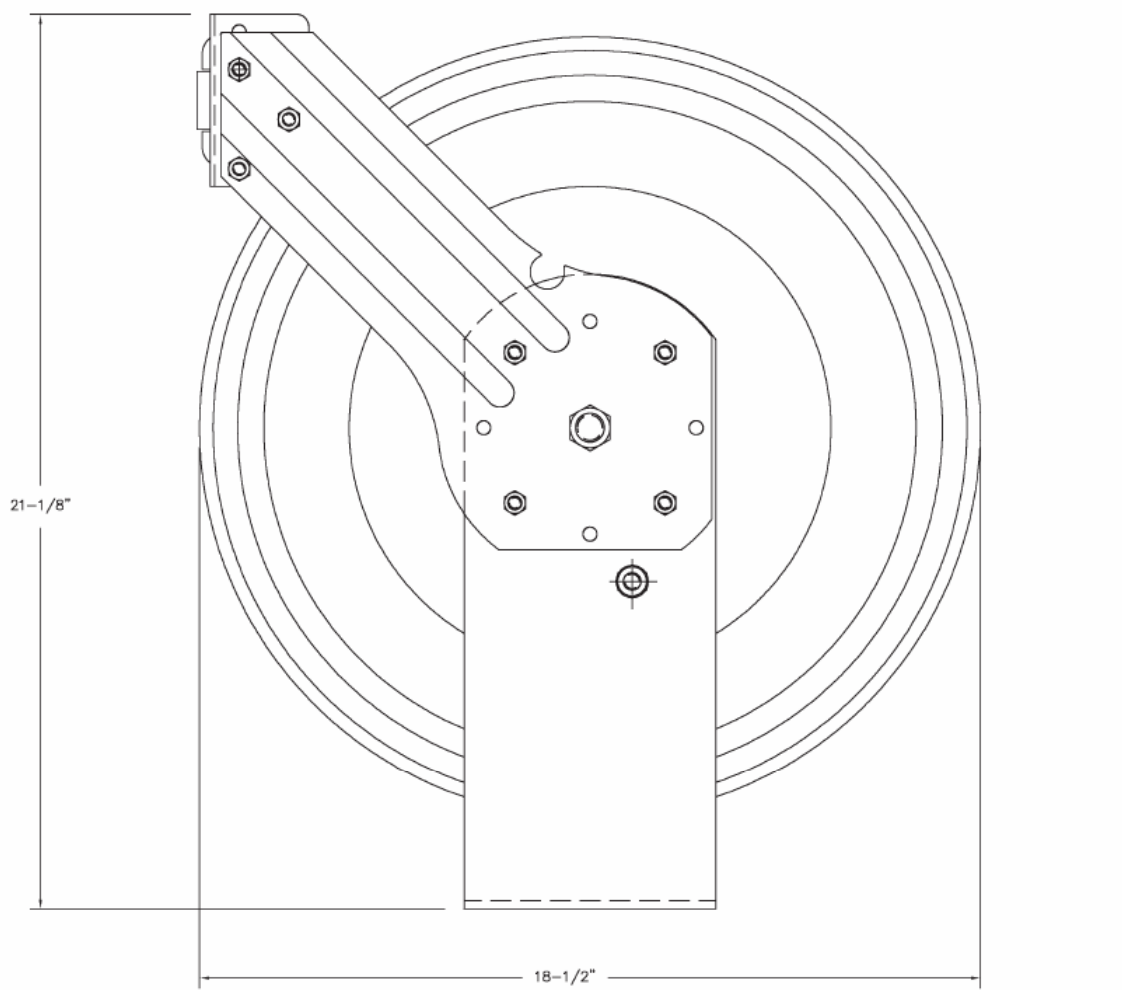


© Indicates change

OCT - 2006

Form 402141

Section - E35 Page - 71A



ADJUSTING THE GUIDE ARM

Pull out 3-4 feet of hose and allow reel to lock in position.

Remove the four bolts connecting guide arm to mounting base.

Rotate guide arm in 90°-increments to desired position total number of positions is five (5). Replace four bolts and tighten.

Continue by choosing proper mounting hardware. **Mount reel using four 3/8" grade 5 bolts secured through four slots in mounting base.** See Illustration for Dimensions. Use washers on mounting bolts to help bear weight of reel (Bolts and Washers are not included).

After reel is secured in position, attach air hose coming from compressor. Wrap threads of male connector on incoming air hose with Teflon tape (included) or thread sealant and connect to air inlet valve on side of hose reel. Connect other end of incoming air hose to air compressor. Apply Teflon tape to threads on hose before attaching air tools.

ADJUSTING THE HOSE BALL STOP

The hose ball stop determines the length of hose that remains outside of reel. To adjust, pull hose out past desired position of hose ball stop and latch reel. Loosen both bolts and move ball stop to proper position. Tighten bolts.

Operating Hose Reel

1. Slowly pull hose from reel to desired length. A ratcheting mechanism inside reel makes a short series of clicking sounds every half revolution of reel.
2. **To lock** reel in position, listen for clicking sounds as hose is slowly pulled from reel. When reel clicks, stop pulling hose. Decrease tension on hose and reel should lock in position.
3. **To retract** hose onto reel, slowly pull out hose until series of clicking sounds stops (1/8 revolution). **DO NOT LET GO OF HOSE!** Allow hose to retract slowly until hose ball stop rests against hose guide.
4. Periodically check the hose for excessive wear and hose connections for air leaks.

ADJUSTING RECOIL TENSION

1. Disconnect incoming air supply.
2. Pull out about 2 feet of hose and latch the reel.
3. Remove hose ball stop.
4. **While firmly holding onto edge of reel drum**, unlatch reel and carefully allow drum to slowly rewind, drawing hose end back through guide arm roller assembly and onto reel. Latch reel in position.
5. **To Increase Tension:** Unlatch reel and turn clockwise (as viewed from air inlet side).
To Decrease Tension: Unlatch and allow reel to rotate slowly counterclockwise (as viewed from air inlet side).
6. Once desired spring tension is reached, latch reel in position. Feed hose end through roller assembly in guide arm and reattach hose ball stop.
7. Connect incoming air supply.

REPLACING HOSE

1. Secure and stabilize reel. In most cases, hose can be replaced with reel still mounted.
2. Disconnect incoming air supply.
3. Pull out entire length of hose and lock reel. **Make sure reel is securely locked in place.**
4. Unscrew hose clamps that secure hose to drum. Disconnect inlet-end of hose from air inlet valve.
5. Pull inlet-end of hose through slot in drum and guide rollers, removing old hose completely.
6. Remove spring hose guard, hose clamp and hose ball stop from old hose. Fit these parts on new hose in identical positions.
7. Feed inlet-end of hose through guide rollers and slot in drum.
8. Apply Teflon sealant tape or thread sealant to hose connector and connect to air inlet valve.
9. Attach hose clamp to drum. Rewind hose onto reel using normal operation.

Lincoln Industrial Standard Warranty

LIMITED WARRANTY

Lincoln warrants the equipment manufactured and supplied by Lincoln to be free from defects in material and workmanship for a period of one (1) year following the date of purchase, excluding therefrom any special, extended, or limited warranty published by Lincoln. If equipment is determined to be defective during this warranty period, it will be repaired or replaced, within Lincoln's sole discretion, without charge.

This warranty is conditioned upon the determination of a Lincoln authorized representative that the equipment is defective. To obtain repair or replacement, you must ship the equipment, transportation charges prepaid, with proof of purchase to a Lincoln Authorized Warranty and Service Center within the warranty period.

This warranty is extended to the original retail purchaser only. This warranty does not apply to equipment damaged from accident, overload, abuse, misuse, negligence, faulty installation or abrasive or corrosive material, equipment that has been altered, or equipment repaired by anyone not authorized by Lincoln. This warranty applies only to equipment installed, operated and maintained in strict accordance with the written specifications and recommendations provided by Lincoln or its authorized field personnel.

THIS WARRANTY IS EXCLUSIVE AND IS IN LIEU OF ANY OTHER WARRANTIES, EXPRESS OR IMPLIED, INCLUDING, BUT NOT LIMITED TO, THE WARRANTY OF MERCHANTABILITY OR WARRANTY OF FITNESS FOR A PARTICULAR PURPOSE.

In no event shall Lincoln be liable for incidental or consequential damages. Lincoln's liability for any claim for loss or damages arising out of the sale, resale or use of any Lincoln equipment shall in no event exceed the purchase price. Some jurisdictions do not allow the exclusion or limitation of incidental or consequential damages, therefore the above limitation or exclusion may not apply to you.

This warranty gives you specific legal rights. You may also have other rights that vary by jurisdiction.

Customers not located in the Western Hemisphere or East Asia: Please contact Lincoln GmbH & Co. KG, Walldorf, Germany, for your warranty rights.

Lincoln Industrial Special Limited Warranties

SPECIAL LIMITED 2 YEAR WARRANTY

SL-V Series, Single Injectors-85772, 85782, and Replacement Injectors-85771, 85781

Lincoln warrants the SL-V Injector series to be free from defects in material and workmanship for two (2) years following the date of purchase. If an injector model (single or replacement) is determined to be defective by Lincoln, in its sole discretion, during this warranty period, it will be repaired or replaced, at Lincoln's discretion, without charge.

SPECIAL LIMITED 5 YEAR WARRANTY

Series 20, 25, 40 Bare Pumps, Heavy Duty and 94000 Series Bare Reels

Lincoln warrants series 20, 25, 40 bare pumps, and Heavy Duty and 87000 series (94100, 94300, 94500) bare reels to be free from defects in material and workmanship for five (5) years following the date of purchase. If equipment is determined by Lincoln, in its sole discretion, to be defective during the first year of the warranty period, it will be repaired or replaced at Lincoln's discretion, without charge. In years two (2) and three (3), the warranty on this equipment is limited to repair with Lincoln paying parts and labor only. In years four (4) and five (5), the warranty on this equipment is limited to repair with Lincoln paying for parts only.

Lincoln Industrial Contact Information

To find Lincoln Industrial's Nearest Service Center call the following number, you may also use our website

Customer Service	314-679-4200
Website	lincolnindustrial.com

Americas:
One Lincoln Way
St. Louis, MO 63120-1578
USA
Phone +1.314.679.4200
Fax +1.800.424.5359

Europe/Africa:
Heinrich-Hertz-Str 2-8
D-69183 Walldorf
Germany
Phone +49.6227.33.0
Fax +49.6227.33.259

Asia/Pacific:
51 Changi Business Park
Central 2
#09-06 The Signature
Singapore 486066
Phone +65.6588.0188
Fax +65.6588.3438

© Copyright 2006
Printed in USA

Web site:
www.lincolnindustrial.com