



TECHNICAL SERVICE BULLETIN

Bulletin Number: DC-2208

Date: 4/13/2007

Affected Model(s): 85487, 86258, 85244, 85585, 85671, 85220, others

Subject: **86265 Hydraulic Motor Support Bracket**

We are pleased to announce the release of the new 86265 support bracket for use with the standard 60, 90, and 120 pound pump and bucket models listed above. The bracket is also easily adaptable for other containers. The bracket was released as a result of ongoing concerns regarding hydraulic motors that were loosening in high vibration or high shock applications.

Attached is a copy of the service page, Section K4, Page 66 (form 402081) detailing installation. The kit lines up with the existing bolts that hold the lid on the standard containers. The bracket can be installed on the lid and then the upper clamp can be lined up and adjusted appropriately to support the motor with ease.

The 86265 kit is currently available from stock. It carries a List price of \$51.55.

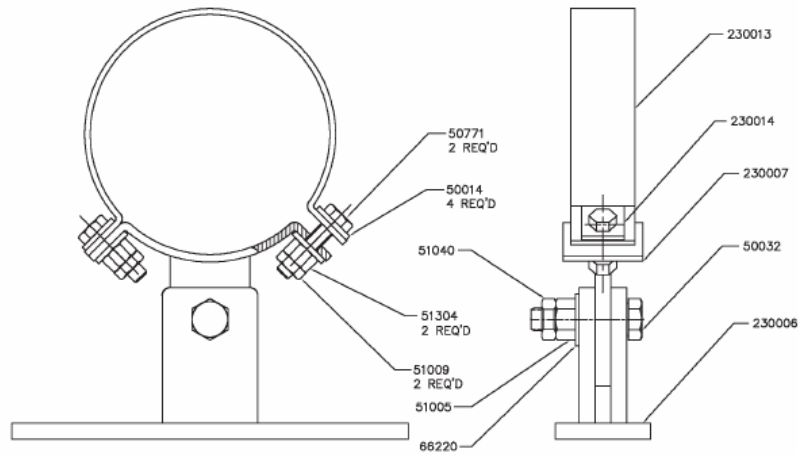
If you have questions or concerns, please do not hesitate to call Lincoln Technical Services at 314/679-4200, ext. 4782, or fax us at 314/679-HELP (4357).

Regards,

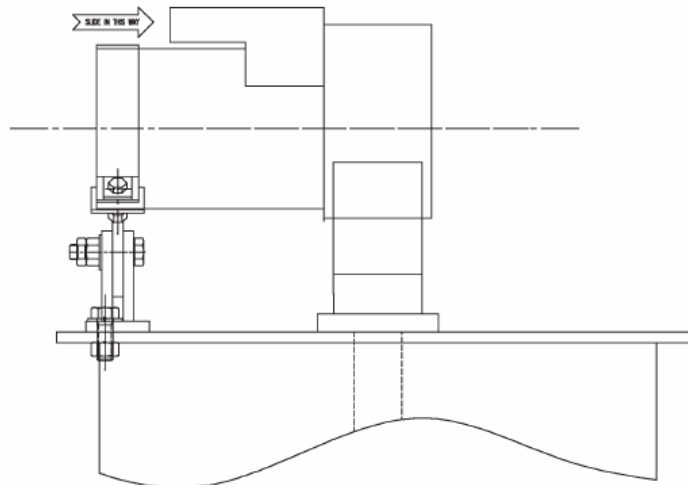
Barry Frankum



HYDRAULIC MOTOR SUPPORT BRACKET Model 86265



1. UNSCREW TWO SCREWS OF BUCKET COVER AT THE END OF MOTOR. ASSEMBLY AS SHOWN FIRST.
2. ADJUST TO POSITION WHERE HOLES ON PN230006 MATCH HOLES ON BUCKET COVER.
3. ADJUST PN23006 AND PN23007 CENTER LINE PERPENDICULAR TO BUCKET COVER AND PASS THROUGH THE CENTER OF MOTOR.
4. TIGHTEN BOTH PNs1304 TO MAINTAIN THE UP STRAIGHT POSITION.
5. USE PNs50032 SCREWS TO FASTEN PN23006 TO THE COVER OF BUCKET.
6. TIGHTEN PNs1005 TO PROVIDE SUPPORT.
7. USE JAM NUTS PNs1009 AND PNs1040 TO PREVENT LOOSING.



<p>Americas: One Lincoln Way St. Louis, MO 63120-1578 USA Phone +1.314.679.4200 Fax +1.800.424.5359</p>	<p>Europe/Africa: Heinrich-Hertz-Str 2-8 D-69183 Walldorf Germany Phone +49.6227.33.0 Fax +49.6227.33.259</p>	<p>Asia/Pacific: 51 Changi Business Park Central 2 #09-06 The Signature Singapore 486066 Phone +65.6588.0188 Fax +65.6588.3438</p>	<p>© Copyright 2006 Printed in USA Web site: www.lincolnindustrial.com</p>
---	---	--	---