



## **TECHNICAL SERVICE BULLETIN**

**Bulletin Number: DC- 2214**

**Date: 9/11/07**

**Affected Model(s): 82206 Series "P" to current  
84275 Series "C" to current  
Bare Hose Reels/Associated Configured Models**

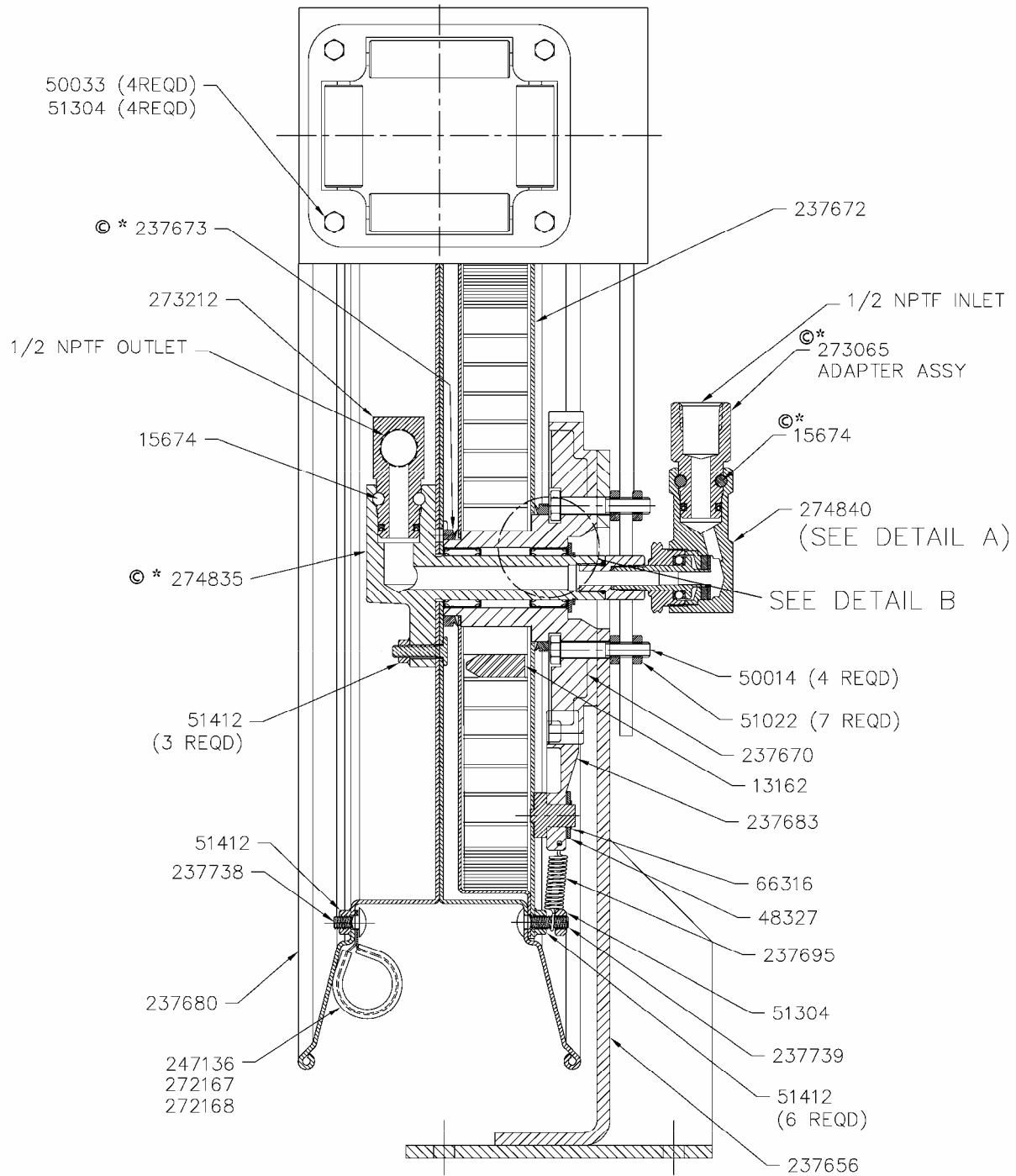
**Subject: New 275535 and 275536 Upgrade Kits**

---

Over the past several years, Lincoln has made several design series changes in an effort to enhance the performance of our Heavy Duty Reels. In an effort to eliminate confusion pertaining to which series reel is being serviced, Lincoln is introducing two new Upgrade Kits. These Upgrade Kits will bring all Model 82206 Reels from Series "P" to the current Series "R" design and for all Model 84275 Reels from Series "C" to the current Series "E" design (see attached service pages).

The new **275535 Upgrade Kit** for the **Model 82206 Reel** consists of the following:

- 1 – 273065 Adapter Assembly**
- 1 – 273212 Adapter Outlet Assembly**
- 1 – 274836 Swivel Adapter**
- 1 – 274837 O-Ring**
- 1 – 274840 Swivel Assembly**
- 1 – 274835 Axle**



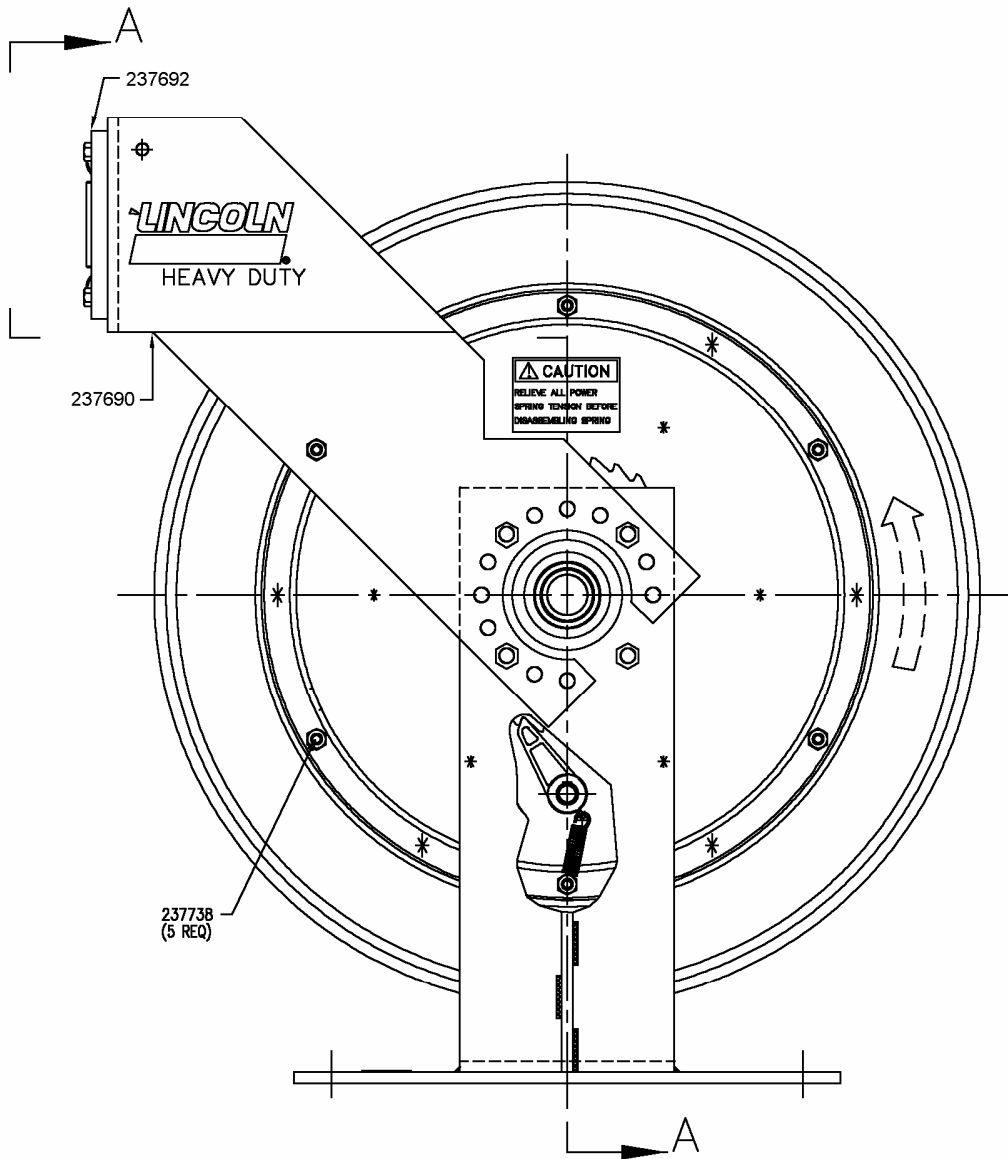
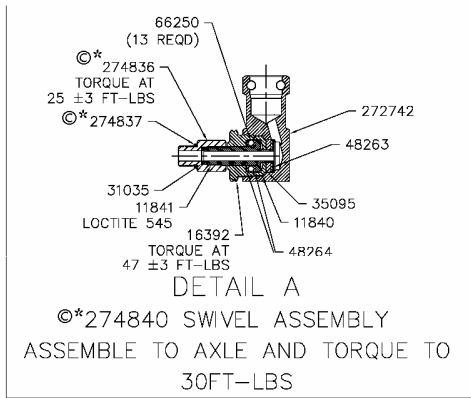
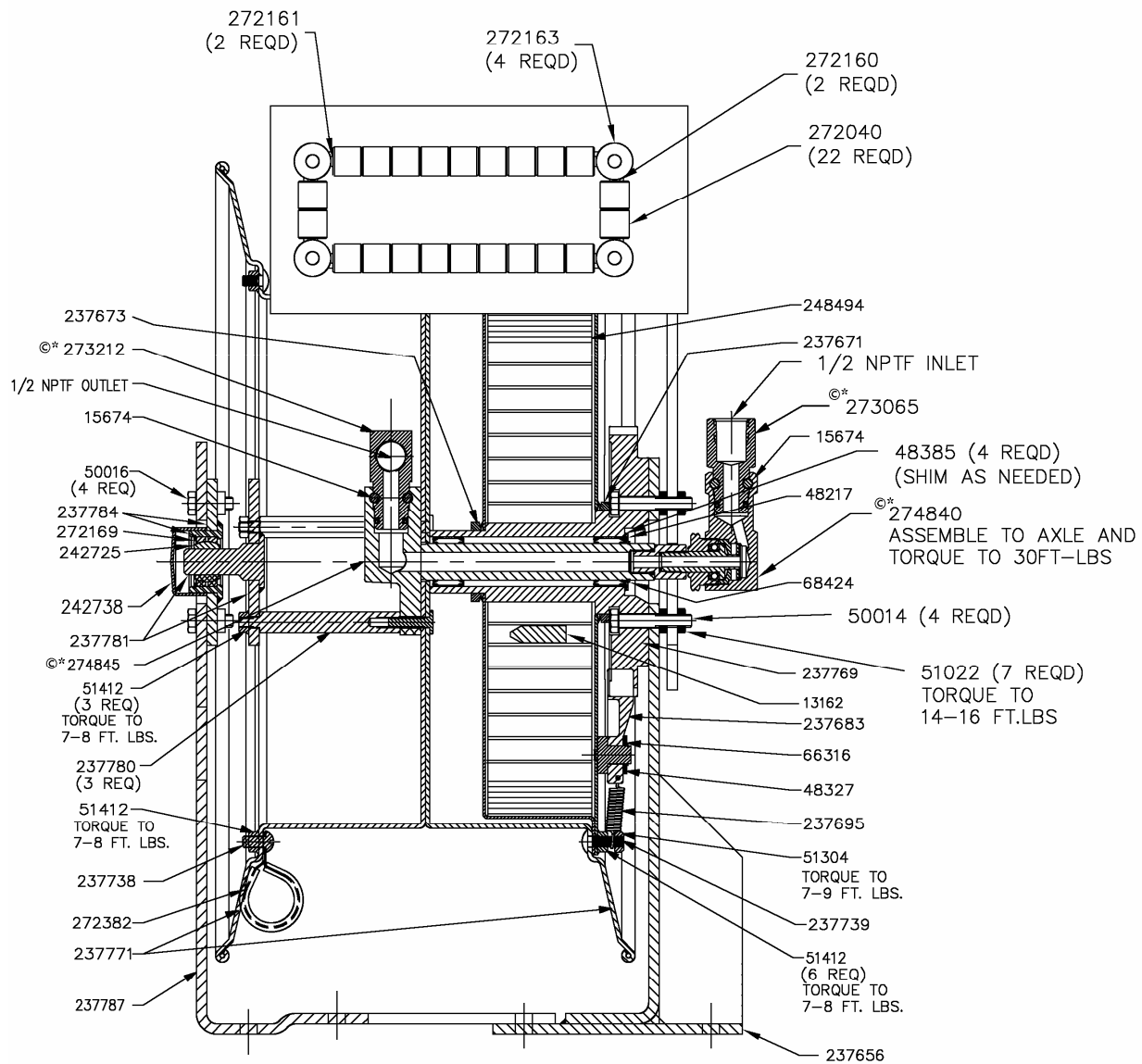


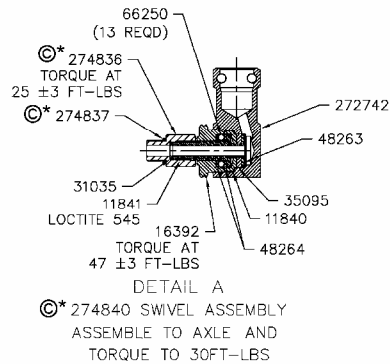
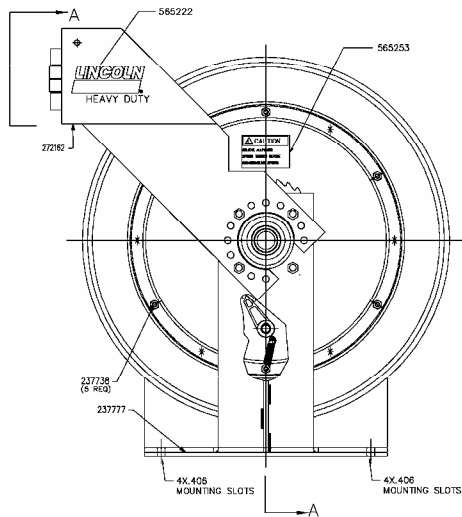
FIGURE 4.2

**PLEASE NOTE: This 275535 Upgrade Kit WILL NOT WORK on prior to series “P” Model 82206 reels.**

The new **275536 Upgrade Kit** for the **Model 84275 Reel** consists of the following:

- 1 – 273065 Adapter Assembly**
- 1 – 273212 Adapter Outlet Assembly**
- 1 – 274836 Swivel Adapter**
- 1 – 274837 O-Ring**
- 1 – 274840 Swivel Assembly**
- 1 – 274845 Axle**





**PLEASE NOTE: This 275536 Upgrade Kit WILL NOT WORK on prior series "C" Model 84275 reels.**

**If you have questions or concerns, please do not hesitate to call Lincoln Technical Services at 314-679-4200 Ext. 4782 or fax us at 314-679-HELP (4357).**

**Regards,**

**Bob Shea  
Technical Specialist**