

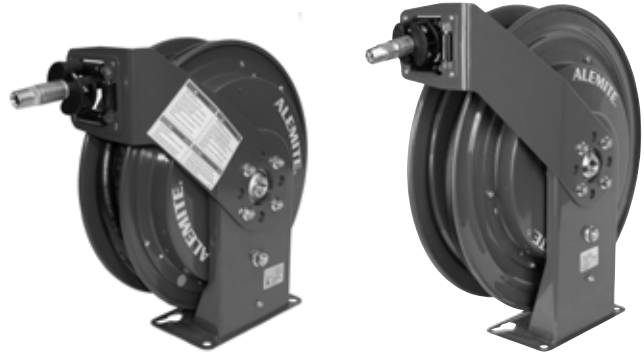
# Hose reels and accessories

Power cord and light hose reels . . . . .	109
Value series air hose reels . . . . .	110
Alemite compact hose reels . . . . .	111
Alemite heavy duty hose reels . . . . .	112
Alemite narrow double post hose reels . . . . .	114
Heavy-duty series hose reels . . . . .	116
High-flow series reels . . . . .	120
Hose and hose reel accessories . . . . .	122
Decorative hose reels . . . . .	124



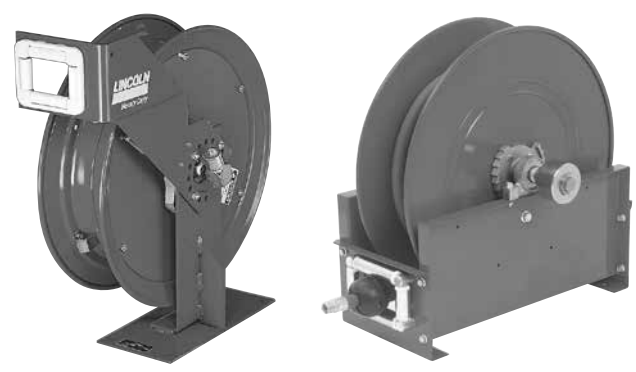
*Power cord and light reels*

*Value series air and water reels*



*Alemite compact reels*

*Alemite heavy-duty reels*



*Heavy-duty reels*

*High-flow reels*

## Power cord and light hose reels

Introducing Lincoln's new line of power cord and light reels. Designed for light-, medium- and heavy-duty applications in home, shop and factory environments.

### Power cord reels

- Clear triple tap illuminates when receiving power
- Overload protection
- Adjustable cord stop with anti-kink cord spring
- 4 ft. (1,2 m) connection lead
- 125 V AC input voltage
- cUL listed

#### Model 91029 medium duty

- 50 ft. (15,2 m) 14/3 SJTOW cord – cold weather compatible, grease, oil and water resistant
- Heavy-duty flame resistant ABS housing
- Wall, ceiling or bench mounted with three fixed-angle positions
- 12 amp rating

### Heavy duty reels

- Spring retractable with latch
- Compact for critical space requirements
- Durable abrasion and corrosion resistant baked-on powder coat finish
- Wall, ceiling or bench mount
- Engineered for industrial use
- All models supplied with cord are complete with approximately 4 ft. (1,2 m) pigtail and three-prong plug
- Adjustable cord stop
- cUL listed

#### Model 91030

- Single receptacle
- 50 ft. (15,2 m) 16/3 SJTOW cord – cold weather compatible, grease, oil and water resistant
- 13 amp rating

#### Model 91031

- Single receptacle
- 45 ft. (13,7 m) 12/3 SJEOW cord
- 20 amp rating

#### Model 91032

- Duplex outlet box with GFCI (F)
- 45 ft. (13,7 m) 12/3 SJEOW cord
- 20 amp rating

#### Model 91033

- Fluorescent light
- 50 ft. (15,2 m) 16/2 SJTOW cord – cold weather compatible, grease, oil and water resistant

#### Model 91034

- Fluorescent light and outlet
- 50 ft. (15,2 m) 16/3 SJTOW cord – cold weather compatible, grease and oil resistant
- 10 amp rating

#### Model 91035

- Two 4 watt, high-output LEDs provide bright, even light over the work surface
- 1 watt lensed output LED flashlight at the end provides bright light in tight spaces
- Polycarbonate impact- and shatter-resistant light tube
- Quiet speed-latching mechanism maintains desired working length of cord
- Inline molded tool tap capable of drawing up to 13 A (maximum)
- Protected two-way on/off switch located on handle
- Suited for indoor applications only

Model 91029



Model 91030



Model 91032



Model 91033



Model 91034



Model 91035



Model 83753



## Value series air and water hose reels

### Air and water reel – value series

Lincoln's value series air and water hose reels are constructed of durable, heavy-gauge steel and quality hoses. Designed for stationary indoor and outdoor use, they can be attached to most surfaces that can be drilled. Features include five-position adjustable outlet roller arm, spring-powered automatic recoil, angled hose guide for smooth, parallel hose pull-out and retraction and an eight-position ratchet gearing that locks the reel at the desired hose length.

#### Model 83753

3/8 in. x 50 ft. (15 m) assembled air and water hose reel includes bare hose reel, 50 ft. (15 m) delivery hose and ball stop.

#### Model 83754

1/2 in. x 50 ft. (15 m) assembled air and water hose reel includes bare hose reel, 50 ft. (15 m) delivery hose and ball stop.

#### Value series air and water reel models

Model	Assembly	Inlet size NPT	Maximum pressure		Maximum air flow	
			psi	bar	cfm	m <sup>3</sup> /min.
83753*	50 ft. (15,2 m) of 3/8 in. air/water hose	1/4	300	21	25	0,7
83754*	50 ft. (15,2 m) of 1/2 in. air/water hose	1/2	300	21	35	1

\***⚠WARNING** California Proposition 65: Cancer and reproductive harm. [www.P65Warnings.ca.gov](http://www.P65Warnings.ca.gov)

#### Replacement hose models

Model	Assembly	Inlet size NPT	Maximum pressure		Maximum air flow	
			psi	bar	cfm	m <sup>3</sup> /min.
278752*	50 ft. (15,2 m) of 1/2 in. air/water hose	1/2	300	21	35	1
278749*	50 ft. (15,2 m) of 3/8 in. air/water hose	1/4	300	21	25	0,7

\***⚠WARNING** California Proposition 65: Cancer and reproductive harm. [www.P65Warnings.ca.gov](http://www.P65Warnings.ca.gov)

#### Replacement swivels models

Model	Swivel
83753*	279135*
83754*	279136*

\***⚠WARNING** California Proposition 65: Cancer and reproductive harm. [www.P65Warnings.ca.gov](http://www.P65Warnings.ca.gov)

## Alemite compact hose reels

Alemite compact reels provide optimum performance and safety in rough working environments. Featuring the same mounting pattern as Alemite's heavy duty and severe duty reels, these models are engineered for use in locations where space is limited. Alemite compact reels utilize shorter arms and a smaller diameter to provide reel performance in tight spaces.

- Saves space; fits in cabinets with 16.5 in. (419 mm) depth
- Superior performance of swivel and reel ball bearings reduce torque load on power spring for smooth retraction every time
- Anti-lockout design of ratchet prevents lockup when hose is fully extended, eliminating the need to manually release the pawl at the reel

- Sealed bearings prevent contamination and minimize maintenance, a critical performance factor in dirty environments
- Factory lubricated one piece power spring cassette makes installation and maintenance safe and easy
- Durable, heavy metal arbor design withstands extreme stress and eliminates breakage associated with non-metal and light weight metal arbors
- Adjustable 5 position guide arm allows hose to release at an optimum position. Narrow design allows for efficient use of available space
- Includes hose reel, hose, hose stop, union and 24 in. (61 cm) connecting hose



### Compact reel for oil

Model	Color	Maximum pressure		Description			Included with reel assembly				Weight	
		psi	bar	Diameter in.	Length ft.	m	Bare reel model	Connecting hose	Delivery hose	Ball stop	lb.	kg
8016-C	Maroon	1,500	103	1/2	30	9	7316-C	317813-2	317813-30	337437	53	24

### Compact reel for air/water

Model	Color	Maximum pressure		Description			Included with reel assembly				Weight	
		psi	bar	Diameter in.	Length ft.	m	Bare reel model	Connecting hose	Delivery hose	Ball stop	lb.	kg
8016-F*	Maroon	300	21	3/8	50	15,2	7316-F	317811-2	317803-50	337437	53	24kg

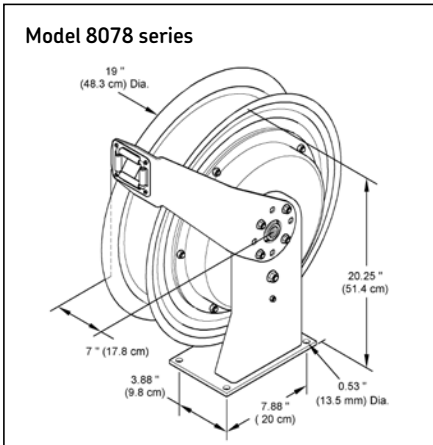
\***⚠️ WARNING** California Proposition 65: Cancer and reproductive harm. [www.P65Warnings.ca.gov](http://www.P65Warnings.ca.gov)

### Bare reels

Model	Color	Usage	Maximum pressure		Description		Weight	
			psi	bar	Reel inlet in.	Reel outlet in.	lb.	kg
7316-C	Maroon	Oil	1,500	103	1/2 NPTF(f)	3/8 NPSM(f) swivel	43	19,5
7316-F*	Maroon	Air/water	300	21	1/2 NPTF(f)	1/4 NPSM(f) swivel	43	19,5

\***⚠️ WARNING** California Proposition 65: Cancer and reproductive harm. [www.P65Warnings.ca.gov](http://www.P65Warnings.ca.gov)

# Alemite heavy duty hose reels



Alemite heavy duty reels set the industry standard for reliable, rugged performance in tough work environments. Engineered for optimum performance and safety, these reels are suitable for a wide range of demanding applications.

- Superior performance of swivel and reel ball bearings reduce torque load on power spring for smooth retraction every time
- Anti-lockout design of ratchet prevents lockup when hose is fully extended, eliminating the need to manually release the pawl at the reel
- Sealed bearings prevent contamination and minimize maintenance, a critical performance factor in dirty environments

- Factory lubricated one piece power spring cassette makes installation and maintenance safe and easy
- Durable, heavy metal arbor design withstands extreme stress and eliminates breakage associated with non-metal and light weight metal arbors
- Adjustable 5 position guide arm allows hose to release at an optimum position. Narrow design allows for efficient use of available space
- Compatible with oil, grease, air and water
- Includes hose reel, hose, hose stop, union and 24" (61 cm) connecting hose

## Heavy duty reels for oil

Model	Color	Maximum pressure		Delivery hose Specification	Model	Outlet	Connecting hose *		Weight	
		psi	bar				Inlet	Model	lb.	kg
<b>8078-C</b>	Maroon	1,500	<b>103</b>	1/2 in. ID x 30 ft. (9 m)	317813-30	1/2 in. NPTF(m)	1/2 in. NPTF(m)	317813-2	58	26
<b>8078-D</b>	Maroon	1,500	<b>103</b>	1/2 in. ID x 50 ft. (15 m)	317813-50	1/2 in. NPTF(m)	1/2 in. NPTF(m)	317813-2	58	26
<b>8078-DBL</b>	Blue	1,500	<b>103</b>	1/2 in. ID x 50 ft. (15 m)	317813-50	1/2 in. NPTF(m)	1/2 in. NPTF(m)	317813-2	58	26
<b>8078-DBK</b>	Black	1,500	<b>103</b>	1/2 in. ID x 50 ft. (15 m)	317813-50	1/2 in. NPTF(m)	1/2 in. NPTF(m)	317813-2	58	26
<b>8078-DW</b>	White	1,500	<b>103</b>	1/2 in. ID x 50 ft. (15 m)	317813-50	1/2 in. NPTF(m)	1/2 in. NPTF(m)	317813-2	58	26

\* Connecting hose length is 24 in. (61 cm)

## Heavy duty reels for grease

Model	Color	Maximum pressure		Delivery hose Specification	Model	Outlet	Connecting hose *		Weight	
		psi	bar				Inlet	Model	lb.	kg
<b>8078-A</b>	Maroon	6,400	<b>440</b>	1/4 in. ID x 30 ft. (9 m)	317874-30	1/4 in. NPTF(f)	3/8 in. NPTF(m)	317876-2	56	25
<b>8078-B</b>	Maroon	6,000	<b>413</b>	1/4 in. ID x 50 ft. (15 m)	317874-50	1/4 in. NPTF(f)	3/8 in. NPTF(m)	317876-2	59	27
<b>8078-T</b>	Maroon	6,400	<b>440</b>	3/8 in. ID x 50 ft. (15 m)	317870-50	1/4 in. NPTF(f)	3/8 in. NPTF(m)	317882-2	63	29
<b>8078-BBL</b>	Blue	6,000	<b>413</b>	1/4 in. ID x 50 ft. (15 m)	317874-50	1/4 in. NPTF(f)	3/8 in. NPTF(m)	317876-2	59	27
<b>8078-BBK</b>	Black	6,000	<b>413</b>	1/2 in. ID x 50 ft. (15 m)	317874-50	1/4 in. NPTF(f)	3/8 in. NPTF(m)	317876-2	59	27
<b>8078-BW</b>	White	6,000	<b>413</b>	1/4 in. ID x 50 ft. (15 m)	317874-50	1/4 in. NPTF(f)	3/8 in. NPTF(m)	317876-2	59	27

\* Connecting hose length is 24 in. (61 cm)

Hose reels and accessories – Alemite heavy-duty hose reel series



Colors not available in every size or length.



Heavy duty reels for air/water

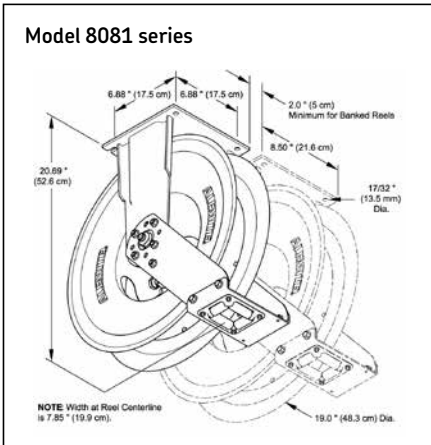
Model	Color	Maximum pressure		Delivery hose Specification	Model	Outlet	Connecting hose *		Weight	
		psi	bar				Inlet	Model	lb.	kg
8078-E	Maroon	300	20	3/8 in. ID x 30 ft. (9 m)	317803-30	1/4 in. NPTF(m)	1/2 in. NPTF(m)	317811-2	51	23
8078-F	Maroon	300	20	3/8 in. ID x 50 ft. (15 m)	317803-50	1/4 in. NPTF(m)	1/2 in. NPTF(m)	317811-2	53	24
8078-M	Maroon	300	20	1/2 in. D x 50 ft. (15 m)	317811-50	1/2 in. NPTF(m)	1/2 in. NPTF(m)	317811-2	61	28
8078-FBL	Blue	300	20	3/8 in. ID x 50 ft. (15 m)	317803-50	1/4 in. NPTF(m)	1/2 in. NPTF(m)	317811-2	53	24
8078-FBK	Black	300	20	3/8 in. ID x 50 ft. (15 m)	317803-50	1/4 in. NPTF(m)	1/2 in. NPTF(m)	317811-2	53	24
8078-FW	White	300	20	3/8 in. ID x 50 ft. (15 m)	317803-50	1/4 in. NPTF(m)	1/2 in. NPTF(m)	317811-2	53	24

\* Connecting hose length is 24 in. (61 cm)

Bare reels

Model	Color	Usage	Maximum pressure		Description Reel inlet	Reel outlet	Weight	
			psi	bar			in.	in.
7135-A	Blue	Oil	1,500	103	1/2 NPTF(f)	1/2 NPTF(f) swivel	50	23
7135-B	Black	Oil	1,500	103	1/2 NPTF(f)	1/2 NPTF(f) swivel	50	23
7135-C	White	Oil	1,500	103	1/2 NPTF(f)	1/2 NPTF(f) swivel	50	23
7335-B	Maroon	Oil	1,500	103	1/2 NPTF(f)	1/2 NPTF(f) swivel	50	23
7134-A	Blue	Grease	6,000	413	1/2 NPTF(f)	3/8 NPTF(f) swivel	50	23
7134-B	Black	Grease	6,000	413	1/2 NPTF(f)	3/8 NPTF(f) swivel	50	23
7134-C	White	Grease	6,000	413	1/2 NPTF(f)	3/8 NPTF(f) swivel	50	23
7334-B	Maroon	Grease	6,000	413	1/2 NPTF(f)	3/8 NPTF(f) swivel	50	23
7136-A	Blue	Ai/Water	300	20	1/2 NPTF(f)	3/8 NPTF(f)	50	23
7136-B	Black	Air/Water	300	20	1/2 NPTF(f)	3/8 NPTF(f)	50	23
7136-C	White	Air/Water	300	20	1/2 NPTF(f)	3/8 NPTF(f)	50	23
7336-B	Maroon	Air/Water	300	20	1/2 NPTF(f)	3/8 NPTF(f)	50	23

## Alemite narrow double post hose reels



Alemite narrow double post reels provide the rugged, reliable performance of an Alemite reel, with a narrower design to fully optimize space efficiency. The dual arm design provides increased strength and stability in demanding off road applications.

- Narrow design – 8.5" (22 cm) wide – for better space utilization
- Superior performance of swivel and reel ball bearings reduce torque load on power spring for smooth retraction every time
- Anti-lockout design of ratchet prevents lockup when hose is fully extended, eliminating the need to manually release the pawl at the reel

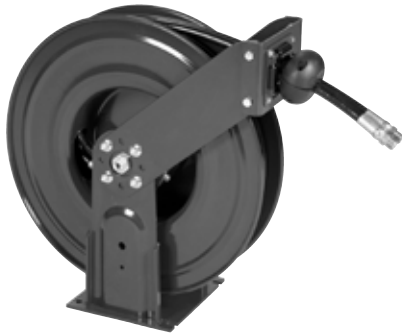
- Sealed bearings prevent contamination and minimize maintenance, a critical performance factor in dirty environments
- Factory lubricated one piece power spring cassette makes installation and maintenance safe and easy
- Durable, heavy metal arbor design withstands extreme stress and eliminates breakage associated with non-metal and light weight metal arbors
- Adjustable 5 position guide arm allows hose to release at an optimum position. Narrow design allows for efficient use of available space
- Compatible with oil, grease, air, water, fuel and hydraulic fluid
- Includes hose reel, hose, hose stop and swivel inlet union

### Narrow double post reels for oil

Model	Maximum pressure		Delivery hose Specification	Model	Outlet	Reel Inlet	Weight	
	psi	bar					lb.	kg
8081-C	1,800	124	1/2 in. ID x 40 ft. (12 m)	317813-40	1/2 in. NPTF(m)	1/2 in. NPSM(m)	71	32
8081-D	1,800	124	1/2 in. ID x 50 ft. (15 m)	317813-50	1/2 in. NPTF(m)	1/2 in. NPSM(m)	74	34

### Narrow double post reels for grease

Model	Maximum pressure		Delivery hose Specification	Model	Outlet	Reel Inlet	Weight	
	psi	bar					lb.	kg
8081-A	6,500	448	1/4 in. ID x 30 ft. (9 m)	317874-30	1/4 in. NPTF(f)	3/8 in. NPSM(m)	71	32
8081-B	6,500	448	1/4 in. ID x 50 ft. (15 m)	317874-50	1/4 in. NPTF(f)	3/8 in. NPSM(m)	72	33
8081-J	4,000	275	3/8 in. ID x 50 ft. (15 m)	317870-50	1/4 in. NPTF(f)	3/8 in. NPSM(m)	72	33



**Narrow double post reels for air/water**

Model	Maximum pressure		Delivery hose Specification	Model	Outlet	Reel Inlet	Weight	
	psi	bar					lb.	kg
8081-E	300	20	3/8 in. ID x 40 ft. (12 m)	317803-40	1/4 in. NPTF(m)	1/2 in. NPSM(m)	62	28
8081-F	300	20	3/8 in. ID x 50 ft. (15 m)	317803-50	1/4 in. NPTF(m)	1/2 in. NPSM(m)	64	29
8081-G	300	20	1/2 in. ID x 50 ft. (15 m)	317811-50	1/2 in. NPTF(m)	1/2 in. NPSM(m)	69	31

**Narrow double post reels for fuel**

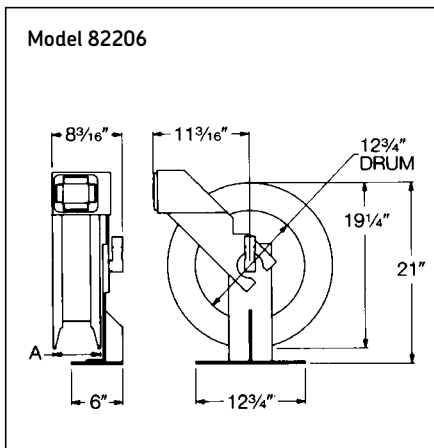
Model	Maximum pressure		Delivery hose Specification	Model	Outlet	Reel Inlet	Weight	
	psi	bar					lb.	kg
8081-K	300	20	3/4 in. ID x 30 ft. (9 m)	317868-30	3/4 in. NPTF(m)	3/4 in. NPSM(m)	75	34

**Bare reels**

Model	Color	Usage	Maximum pressure		Description Union inlet	Union model	Reel outlet	Weight	
			psi	bar				in.	in.
7371	Maroon	Oil	1,800	124	1/2 NPSM(m)	340528-3	1/2 NPSM(f) swivel	57	26
7370	Maroon	Grease	6,500	448	1/2 NPSM(m)	340528-2	3/8 NPSM(f) swivel	58	27
7372	Maroon	Air/water	300	20	1/2 NPSM(m)	340528-3	1/4 NPSM(f) swivel	55	25
7373	Maroon	Fuel	300	20	3/4 NPSM(m)	340528-4	3/4 NPSM(f) swivel	61	28



## Heavy-duty series hose reels



The heavy-duty series reels are the finest Lincoln lube reels ever designed. Years of engineering, testing and experience preceded their introduction. The quality and reliability the professional expects from Lincoln is not only met but exceeded in form and function by the heavy-duty series. Value, long-life and top performance were the criteria demanded before these incredible reels were released.

You should expect the best from Lincoln and the heavy-duty series reel delivers it.

### Features

- All bare reels rated for high, medium and low pressure
- Reel assemblies available in standard 30, 40 and 50 ft. (9, 12 and 15 m) hose lengths
- Dual needle roller bearings
- Ball bearing inlet swivel design
- Quick disconnects on delivery and connecting hose

- Spring canister with seals
- Thirteen position roller outlet arm
- Delrin rollers
- Quarter-inch thick steel welded base and roller outlet arm
- Reel sheaves are rolled
- Components individually powder painted for long life and scratch resistance
- All reel assemblies factory assembled and pressure tested to insure a quality leak-free installation every time
- Basic reel assemblies can be ordered with one model number; include delivery hose, ball stop and connecting hose
- Complete reel assemblies with meter, control valve or air coupler are also available as one model number
- Backed by a five-year limited warranty. See your Lincoln representative for details

### Bare reels for grease, oils, air and water

Model	Reel application	Hose capacity		Inlet size	Pressure Working		Sheave Width		
		Type	Length		psi	bar	in.	mm	
82206	Heavy-duty long length	75	50	15	1/2 NPT (f)	8 000*	552	5 1/2	140
		76A	50	15	1/2 NPT (f)	8 000*	552	5 1/2	140
		76B	50	15	1/2 NPT (f)	8 000*	552	5 1/2	140
		73	50	15	1/2 NPT (f)	8 000*	552	5 1/2	140
		78	50	15	1/2 NPT (f)	8 000*	552	5 1/2	140
		Class A	50	15	1/2 NPT (f)	8 000*	552	5 1/2	140

\* Actual working pressure of the reel should not exceed pressure rating of the installed hose.

Hose reels and accessories – heavy-duty series



Model 85050



Model 83464-50

High-pressure reels and assemblies – basic grease assemblies\* less hose end control

Basic reel	Bare reel	Delivery hose	Hose size			Connecting hose	Ball stop	Control valve
			Diameter	Length				
			in.	ft.	m			
85003-30*	82206	75360	1/4	30	9	75024	85516	–
85004*	82206	75480	1/4	40	12	75024	85516	–
85004-50	82206	75600	1/4	50	15	75024	85516	–
85006-30B	82206	76360B	3/8	30	9	76024B	85517	–
85004-50B	82206	76600B	3/8	50	15	76024B	85517	–
85008-50A	82206	76600A	1/2	50	15	76024A	85517	–

\*⚠️ **WARNING** California Proposition 65: Cancer and reproductive harm. [www.P65Warnings.ca.gov](http://www.P65Warnings.ca.gov)

Medium pressure reels and assemblies – basic fluid lubricant, antifreeze and windshield washer fluid assemblies\* less hose end control

Basic reel	Bare reel	Delivery hose	Hose size			Connecting hose	Ball stop	Control valve
			Diameter	Length				
			in.	ft.	m			
83463	82206	73240	1/2	20	6	73024	85517	–
83463-30	82206	73360	1/2	30	9	73024	85517	–
83464	82206	73480	1/2	40	12	73024	85517	–
83464-50	82206	73600	1/2	50	15	73024	85517	–
85009-50	82206	78600	5/8	50	15	78024	84347	–

\* See pages 144-155 for meter, valve, or air coupler options for end of delivery hose.

Complete grease assemblies with universal swivel and control valve

Assembly	Bare reel	Delivery hose	Included with reel assemblies (quantity)			Ball stop	Control valve or meter	Swivel	Nipple	
			Hose size	Length						Connecting hose
			Diameter	ft.	m					
			in.							
85050	82206	75360	1/4	30	9	75024	85516	740	81387	12957(2)
85051*	82206	75600	1/4	50	15	75024	85516	740	81387	12957(2)

\*⚠️ **WARNING** California Proposition 65: Cancer and reproductive harm. [www.P65Warnings.ca.gov](http://www.P65Warnings.ca.gov)

Hose reels and accessories – heavy-duty series



Model 82206

Low pressure reels and assemblies – basic air, water\* less hose end control

Basic reel	Bare reel	Delivery hose	Hose size			Connecting hose	Ball stop	Control valve or meter
			Diameter	Length				
			in.	ft.	m			
<b>85232</b>	82206	72360	1/4	30	9	72024	85515	–
<b>85011</b>	82206	72600	1/4	50	15	72024	85515	–
<b>85002A</b>	82206	72480A	3/8	40	12	72024A	85516	–
<b>85001</b>	82206	72600A	3/8	50	15	72024A	85516	–
<b>85012</b>	82206	72720A	3/8	60	18	72024A	85516	–
<b>85005</b>	82206	74480	1/2	40	12	74024	85517	–
<b>85010-50</b>	82206	74600	1/2	50	15	74024	85517	–

\* See pages 57-65 for meter, valve, or air coupler options for end of delivery hose.

Complete medium pressure assemblies – gear lube

Basic reel	Bare reel	Delivery hose	Hose size			Connecting hose	Ball stop	Control valve or meter
			Diameter	Length				
			in.	ft.	m			
<b>85053</b>	82206	73600	1/2	50	15	73024	85517	780
<b>85055</b>	82206	73600	1/2	50	15	73024	85517	878 (meter)

Complete medium pressure assemblies – oils

Basic reel	Bare reel	Delivery hose	Hose size			Connecting hose	Ball stop	Control valve or meter
			Diameter	Length				
			in.	ft.	m			
<b>85056</b>	82206	73360	1/2	30	9	73024	85517	877 (meter)
<b>85057</b>	82206	73600	1/2	50	15	73024	85517	877 (meter)
<b>85058</b>	82206	73360	1/2	30	9	73024	85517	3866 (meter)
<b>85059</b>	82206	73600	1/2	50	15	73024	85517	3866 (meter)

Hose reels and accessories – heavy-duty series



Model 85065

Complete medium pressure assemblies – oils (electrical/digital)

Basic reel	Bare reel	Delivery hose	Hose size			Connecting hose	Ball stop	Control valve or meter
			Diameter	Length				
			in.	ft.	m			
<b>85060</b>	82206	73360	1/2	30	9	73024	85517	967 (meter)
<b>85061</b>	82206	73600	1/2	50	15	73024	85517	967 (meter)

Complete low pressure assemblies – air service

Assembly	Bare reel	Delivery hose	Hose size			Included with reel assemblies		Air coupler	Nipple	Air chuck	Bushing
			Diameter	Length		Connecting hose	Ball stop				
			in.	ft.	m						
<b>85062*</b>	82206	72600	1/4	50	15	74024	85515	815	11659	66951	12080
<b>85063*</b>	82206	72600A	3/8	50	15	74024	85516	815	11659	66951	67069/10049

\***⚠WARNING** California Proposition 65: Cancer and reproductive harm. [www.P65Warnings.ca.gov](http://www.P65Warnings.ca.gov)

Complete low pressure assemblies – water service

Assembly	Bare reel	Delivery hose	Included with reel assemblies			Connecting hose	Ball stop	Bushing	Bibbcock
			Hose size	Length					
			Diameter	ft.	m				
			in.	ft.	m				
<b>85064*</b>	82206	72600	1/4	50	15	74024	85515	12080	846
<b>85065*</b>	82206	72600A	3/8	50	15	74024	85516	67069/10049	846

\***⚠WARNING** California Proposition 65: Cancer and reproductive harm. [www.P65Warnings.ca.gov](http://www.P65Warnings.ca.gov)

## High-flow reels and ball stops



Extra-heavy-duty reels for applications that require high product flow and/or longer hose such as service trucks, lube trucks, transit facilities and large fleet shops.



**Model 84275**  
Extra-heavy-duty dual reel sheave support base design and large hose capacity make this 1/2 in. inlet/outlet reel the ideal high-pressure reel for grease, petroleum oils, air and water.



**Model 84672**  
Extra-heavy-duty high flow design makes this 3/4 in. inlet/outlet reel the perfect medium-pressure reel for petroleum oils, used fluid evacuation, air and water service.

**Model 84673**  
Extra-heavy-duty dual reel sheave support base, high flow design and large hose capacity make this 3/4 in. inlet/outlet reel the ideal medium-pressure reel for petroleum oils, used fluid evacuation, air and water service.

### High-flow series reels

Model	Designation	Hose capacity Type	Size		Inlet size NPT (f)	Pressure Working		Sheave Width		Installation size			
			in.	ft. m		psi	bar	in.	mm	in.	mm	in.	mm
84275	Extra-heavy-duty large capacity	78	75	22,9	1/2	5 000	340	10	254	13 1/8	333	12 3/4	324
		75/76A/76B	75	22,9	1/2	5 000	340	10	254	13 1/8	333	12 3/4	324
		73	75	22,9	1/2	5 000	340	10	254	13 1/8	333	12 3/4	324
84672	Extra-heavy-duty high-flow	3/4 ID x 1 1/4 OD	30	9,1	3/4	2 000	138	5 1/2	140	9 15/16	252	12 3/4	324
		73	50	15,2	3/4	2 000	138	5 1/2	140	9 15/16	252	12 3/4	324
		74	50	15,2	3/4	2 000	138	5 1/2	140	9 15/16	252	12 3/4	324
84673	Large capacity	3/4 ID x 1 1/4 OD	75	22,9	3/4	2 000	138	10	254	14 1/2	368	12 3/4	324
		78	75	22,9	3/4	2 000	138	10	254	14 1/2	368	12 3/4	324
84432	Heavy-duty volume	1 OD low pressure	50	15,2	1	300	21	8	203	15 3/4	400	24 1/4	616
89010	Super-duty high-flow	1 1/4 ID x 1 3/4 OD low pressure	50	15,2	1 1/4	500	35	–	–	22 1/8	562	26 1/4	667

Hose reels and accessories – high-flow series

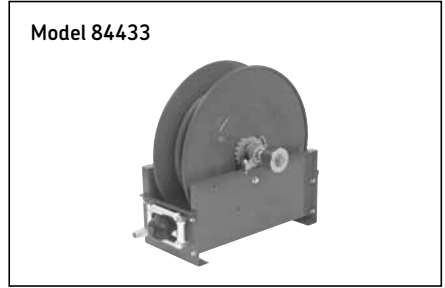
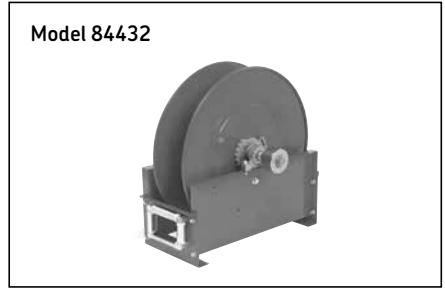
**Model 84432**

Dual reel sheave support base design and high-flow swivel make this 1 in. inlet/outlet reel the ideal low-pressure/volume reel.

This reel is suitable for gasoline, diesel fuel, fuel oil, air and water. Not suitable for ceiling or wall mounted applications.

**Model 84433**

1 in. x 50 ft. (15,24 m) volume fuel reel assembly comes complete with spring-powered reel model 84432, 1 in. x 50 ft. (15,24 m) delivery hose model 247926 (1 in. NPT thread), ball stop model 84257 and 1 in. x 2 ft. (0,6 m) connecting hose model 247925. Order control valve/nozzle separately.



**High-flow reel assemblies**

Basic reel	Bare reel	Delivery hose	Hose size	Ball stop	Control valve or meter
84433	84432	247926	1 in. x 50 ft. (15,2 m)	84257	Order separately

**Recommended mounting and application**

Bare reel	Mounting	Application
84275	Floor, wall, ceiling, lube truck	Grease, oils, air
84672	Floor, wall, ceiling, lube truck	Oils, used fluid evacuation, air, water
84673	Floor, wall, ceiling, lube truck	Oils, used fluid evacuation, air, water
84432	Floor, platform, lube truck	Fuel, volume oils, used fluid evac., air, water

# Lincoln high-, medium- and low-pressure hoses – every size for every application

## High-pressure hose – grease

Model	Size		Hose type	ID	OD	Thread size	Model	Size		Hose type	ID	OD	Thread size
	ft.	m		in.	in.			in.	ft.		m	in.	
75024 <sup>1)</sup>	2	0,6	75/100R2A	1/4	11/16	1/2–27 (f)	76024B <sup>2)</sup>	2	0,6	76B/100R2	3/8	27/32	1/2 NPT (f)
75060 <sup>1)</sup>	5	1,5	75/100R2A	1/4	11/16	1/2–27 (f)	76120B <sup>2)</sup>	10	3,0	76B/100R2	3/8	27/32	1/2 NPT (f)
75084 <sup>1)</sup>	7	2,1	75/100R2A	1/4	11/16	1/2–27 (f)	76360B <sup>2)</sup>	30	9,1	76B/100R2	3/8	27/32	1/2 NPT (f)
75120 <sup>1)</sup>	10	3,0	75/100R2A	1/4	11/16	1/2–27 (f)	76600B <sup>2)</sup>	50	15,2	76B/100R2	3/8	27/32	1/2 NPT (f)
75168 <sup>1)</sup>	14	4,3	75/100R2A	1/4	11/16	1/2–27 (f)	76900B <sup>2)</sup>	75	22,9	76B/100R2	3/8	27/32	1/2 NPT (f)
75240 <sup>1)</sup>	20	6,1	75/100R2A	1/4	11/16	1/2–27 (f)	76024A <sup>2)</sup>	2	0,6	76B/100R2	1/2	27/32	1/2 NPT (f)
75360 <sup>1)</sup>	30	9,1	75/100R2A	1/4	11/16	1/2–27 (f)	76600A <sup>2)</sup>	50	15,2	76B/100R2	1/2	27/32	1/2 NPT (f)
75480 <sup>1)</sup>	40	12,2	75/100R2A	1/4	11/16	1/2–27 (f)							
75600 <sup>1)</sup>	50	15,2	75/100R2A	1/4	11/16	1/2–27 (f)							

<sup>1)</sup> Maximum working pressure 5 000 psi (345 bar)

<sup>2)</sup> Maximum working pressure 4 000 psi (276 bar)

## Medium-pressure hose – oil, gear lube and antifreeze

Model	Size		Hose type	ID	OD	Thread size	Model	Size		Hose type	ID	OD	Thread size
	ft.	m		in.	in.			in.	ft.		m	in.	
73024	2	0,6	73/100R3	1/2	13/16	1/2 NPT (m)	73480	40	12,2	73/100R3	1/2	13/16	1/2 NPT (m)
73036	3	0,9	73/100R3	1/2	13/16	1/2 NPT (m)	73600	50	15,2	73/100R3	1/2	13/16	1/2 NPT (m)
73060	5	1,5	73/100R3	1/2	13/16	1/2 NPT (m)	73720	60	18,3	73/100R3	1/2	13/16	1/2 NPT (m)
73120	10	3,0	73/100R3	1/2	13/16	1/2 NPT (m)	73900	75	22,9	73/100R3	1/2	13/16	1/2 NPT (m)
73240	20	6,1	73/100R3	1/2	13/16	1/2 NPT (m)	1230120	10	3,0	1230/100R2	3/4	1 1/4	3/4 NPT (m)
73360	30	9,1	73/100R3	1/2	13/16	1/2 NPT (m)							

Maximum working pressure 1 500 psi (103 bar). Model 1230120 maximum working pressure 2 250 psi (155 bar).

## Low-pressure hose – air and water

Model	Size		ID	OD	Thread size	Model	Size		ID	OD	Thread size
	ft.	m					in.	in.			
72024	2	0,6	1/4	5/8	1/4 NPT (m)	72600A	50	15,2	3/8	23/32	3/8 NPT (m)
72036	3	0,9	1/4	5/8	1/4 NPT (m)	72720A	75	22,9	3/8	23/32	3/8 NPT (m)
72060	5	1,5	1/4	5/8	1/4 NPT (m)	72900A	75	22,9	3/8	23/32	3/8 NPT (m)
72120	10	3,0	1/4	5/8	1/4 NPT (m)	74024	2	0,6	1/2	27/32	1/2 NPT (m)
72240	20	6,1	1/4	5/8	1/4 NPT (m)	74060	5	1,5	1/2	27/32	1/2 NPT (m)
72360	30	9,1	1/4	5/8	1/4 NPT (m)	74480	40	12,2	1/2	27/32	1/2 NPT (m)
72600	50	15,2	1/4	5/8	1/4 NPT (m)	74600	50	15,2	1/2	27/32	1/2 NPT (m)
72024A	2	0,6	3/8	23/32	3/8 NPT (m)	74900	75	22,9	1/2	7/8	1/2 NPT (m)
72360A	30	9,1	3/8	23/32	3/8 NPT (m)	278749*	50	15,2	3/8	23/32	1/4 NPT (m)
72480A	40	12,2	3/8	23/32	3/8 NPT (m)	278752*	50	15,2	1/2	27/32	1/2 NPT (m)

Maximum working pressure 300 psi (21 bar).

\* ⚠️ **WARNING** California Proposition 65: Cancer and reproductive harm. [www.P65Warnings.ca.gov](http://www.P65Warnings.ca.gov)

### Nipples, couplers and bushings for Lincoln 75 grease hose

#### Bushings

Model	Thread size
	in.
<b>10200*</b>	1/8 NPT (f) x 1/2 – 27 (m)
<b>10204*</b>	1/4 NPT (f) x 1/2 – 27 (m)
<b>12287</b>	1/2 – 27 (f) x 1/2 NPT (m)

#### Nipples

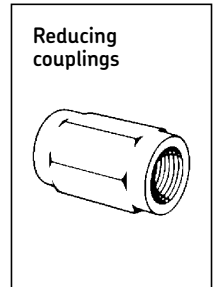
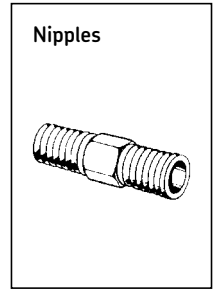
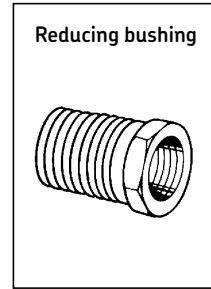
Model	Thread size
	in.
<b>10198*</b>	1/4 NPT (m) x 1/2 – 27 (m)
<b>10199*</b>	1/8 NPT (m) x 1/2 – 27 (m)
<b>10202*</b>	1/2 – 27 (m) x 1/2 – 27 (m)
<b>12957</b>	1/2 NPT (m) x 1/2 – 27 (m)
<b>11197</b>	1/2 NPT (m) x 1/2 NPT (m)

#### Reducing couplings

Model	Thread size
	in.
<b>11852</b>	1/8 NPT (f) x 1/2 – 27 (f)
<b>10522*</b>	1/4 NPT (f) x 1/2 – 27 (f)
<b>67171</b>	3/4 NPT (m) x 1/2 NPT (f)

#### Lincoln high-pressure replacement hose – cross reference

Model	Size
	in.
<b>Alemite</b>	1/2 – 27 (f) x 1/2 – 27 (f)
<b>Aro</b>	1/8 NPT (m) x 1/8 NPT (f)
<b>Balcrank</b>	1/8 NPT (m) x 1/8 NPT (f)
<b>Graco</b>	1/4 NPT (m) x 1/4 NPT (m)



\***⚠ WARNING** California Proposition 65: Cancer and reproductive harm. [www.P65Warnings.ca.gov](http://www.P65Warnings.ca.gov)

### Ball stops

Lincoln ball stops are used to cushion and stop hose retraction.

#### Ball stops

Model	Description	Hose type	OD
			in.
<b>85515</b>	Adjustable	RMA Class A	5/8
<b>85516</b>	Adjustable ball stop	RMA Class A and 74	11/16 to 23/32
<b>85517</b>	Adjustable	73, 74, 76A and 76B	27/32 to 31/32
<b>84347</b>	Adjustable	78 and 78B	11/32
<b>84122</b>	Adjustable	–	1 3/4 to 1 7/8
<b>84257</b>	Adjustable	–	1 1/2 to 1 5/8



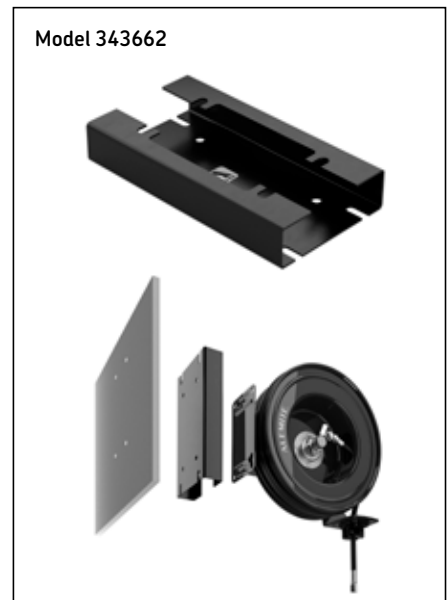
### Alemite reel mount adapter

The Alemite reel mount adapter converts the mounting hole pattern of the Lincoln reel to accept an equivalent Alemite reel, facilitating the replacement of Lincoln heavy-duty fluid (LFR) reels with Alemite heavy-duty or severe-duty reels.

- Installs in place of Lincoln 94000 series LFR reel
- Alemite heavy-duty and severe-duty reels install direct to adapter
- Holds replacement reel secure while hardware is installed
- Formed from heavy-gauge steel

#### Reel mount adapter

Model	Description	Size (L x W x H)		Packaged weight	
		in.	cm	lbs	kg
<b>343662</b>	Reel mount adapter	12.8 x 6.9 x 2.1	32,5 x 17,5 x 5,3	5.5	2,5





## Decorative hose reels



Lincoln's plastic decorative overhead hose reel cabinets are constructed of a light-weight, durable resin. This design offers dramatically reduced installation time and ease of maintenance. The modular design eliminates reel enclosure end panels. Plastic decorative cabinet models are dent and scratch resistant, non-conductive and non-corrosive.

### Model 85641 universal mounting kit

Universal mounting kit allows installation of up to twelve reels, any series, open or decorative. Twelve reels can be installed side by side with this kit or cut to fit your reel installation needs. Includes two mounting struts and hardware to mount 12 reels.

### Plastic decorative reel cabinet

Reel type	Cabinets (1 per reel)	Required mounting components	
		Adapter plate kit (1 per reel bank)	Mounting kit (1-12 reels)
LFR	85640	85642	85641
82206	85240	85242	85641

### Metal decorative reel cabinet

Reel type	Required mounting components	
	Adapter plate kit (1 per reel bank)	Mounting kit (1-12 reels)
LFR	85642	85641
82206	none needed	85641

Hose reels and accessories – decorative reels



Series 3100 heavy-duty, plastic decorative, 30 ft. (9 m)

Model	Description	Bare reel	Delivery hose		Connecting hose	Ball stop	Control valve or meter	Swivel	Coupler	Nipple
			Model	Diameter						
			in.							
3191	Grease with control valve and swivel	82206	75360	1/4	75024	85515	740	81387	–	–
3189*	Motor oil/antifreeze with electronic meter	82206	73360	1/2	73024	85517	982	–	–	–
3194	Motor oil/antifreeze with quarts meter	82206	73360	1/2	73024	85517	877	–	–	–
3195	Gear oil with pints meter	82206	73360	1/2	73024	85517	878	–	–	–
3196	Gear oil with control valve	82206	73360	1/2	73024	85517	780	–	–	–
3197	ATF with quarts ATF meter	82206	73360	1/2	73024	85517	883	–	–	–
3193*	Air with air chuck	82206	72360	1/4	72024	85515	66951	–	815	11659
3192*	Water with bibbcock, 30 ft. (9 m) hose	82206	72360	1/4	72024	85515	846	–	–	–

\***⚠️WARNING** California Proposition 65: Cancer and reproductive harm. [www.P65Warnings.ca.gov](http://www.P65Warnings.ca.gov)

Series 3200 heavy-duty, plastic decorative, 50 ft. (15 m)

Model	Description	Bare reel	Delivery hose		Connecting hose	Ball stop	Control valve or meter	Swivel	Coupler	Nipple
			Model	Diameter						
			in.							
3291	Grease with control valve and swivel	82206	75600	1/4	75024	85515	740	81387	–	–
3289*	Motor oil/antifreeze with electronic meter	82206	73600	1/2	73024	85517	982	–	–	–
3294	Motor oil/antifreeze with quarts meter	82206	73600	1/2	73024	85517	877	–	–	–
3295	Gear oil with pints meter	82206	73600	1/2	73024	85517	878	–	–	–
3296	Gear oil with control valve	82206	73600	1/2	73024	85517	780	–	–	–
3297	ATF with quarts ATF meter	82206	73600	1/2	73024	85517	883	–	815	11659
3198*	Air with air chuck	82206	72600	1/4	72024	85515	66951	–	815	11659
3199*	Air with air chuck	82206	72600A	3/8	72024A	85516	66951	–	–	–
3190*	Water with bibbcock	82206	72600A	3/8	72024A	85516	846	–	–	–

\***⚠️WARNING** California Proposition 65: Cancer and reproductive harm. [www.P65Warnings.ca.gov](http://www.P65Warnings.ca.gov)